

Features and Characteristics

Alumilite designs reliable products produced with the best available materials, and we stand behind them with superior customer service. Please contact us for more information.

Housing: One piece high strength polycarbonate acorn is 16" in diameter with a clear textured finish. All acorns are UV stabilized for longer life.

Fitter: Decorative cast aluminum holder provides strength and durability. Acorn is secured to the fitter and to 3" diameter pole with stainless steel fasteners. Heat tempered glass refractor is available in type 5 "RF5" or type 3 "RF3" distributions.

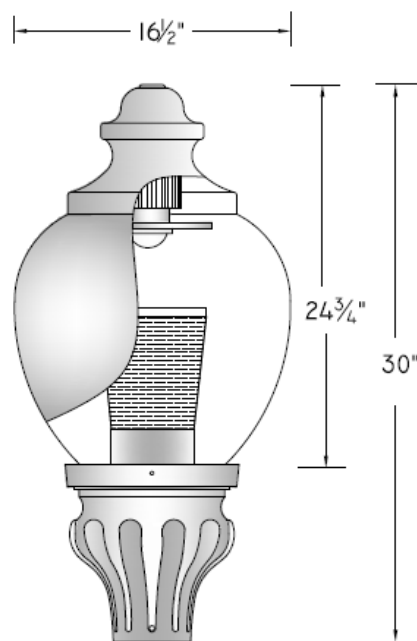
Module/Driver: Cree modules are incased in a cast aluminum housing and sealed with diffused dome lens. They provide industry-leading efficacy (steady state) of up to 97 lm/W for 30w/3000 lm, 108 lm/W for 40w/4000 lm and 85 lm/W for 70w/6000 lm. Modules are available in 3000, 3500 and 4000k and have a minimum CRI of 90.

Drivers are 0-10v dimming with universal voltage. Extruded aluminum heat sinking system provides optimal thermal management.

Five year warranty provided on modules and drivers.

Finish: Polyester powder coating on all metal parts. Color to be specified. Color to be specified.

Listing: Luminaire is ETL listed for wet locations.



Specifications

Series	Size	Wattage/Lamp	Volts
AC	24"	30w/LED = 2430/LED	UV
AC	24"	40w/LED = 2440/LED	UV
AC	24"	70w/LED = 2470/LED	UV

Options	Finish
RF5 = Type5 Refractor	BZ = Bronze
RF3 = Type 3 Refractor	BK = Black
WM = Wall Mounting	WH = White
30k = 3000k	SL = Silver
35k = 3500k	CC = Custom Color
40k = 4000k	

Example

40 Watt, LED, 120 Volts, Type 5 Refractor, 3000k, Bronze
AC2440/LED-UV/RF5/30k/BZ