

Features and Characteristics

Alumilite designs reliable products produced with the best available materials, and we stand behind them with superior customer service. Please contact us for more information.

Housing: Heavy duty aluminum housing is internally welded and sealed. Lens frame support is welded in housing and gasketed.

Lens Frame: Formed aluminum frame is hinged at pole side and secured with four fasteners. Clear tempered glass is gasketed and attached to frame with four clips.

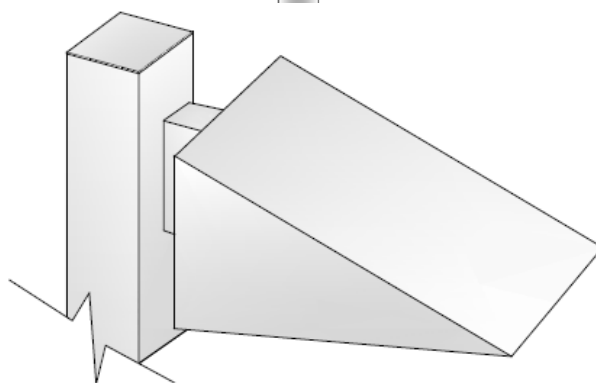
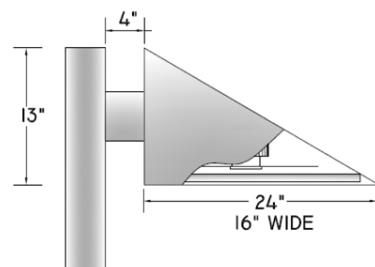
Mounting Bracket: Extruded aluminum arm is provided with two 1/2" threaded rods to bolt housing to the square pole.

Module/Driver: HPWinner LED Modules have high quality Lumiled LED's with an IP-68 rating and waterproof connectors. They are available in type 3, 4 and 5 distributions with 35w/4500lm, 55w/6100lm, 70w/9000lm and 110w/12,200lm. Modules are available in 3000, 4000 and 5000k and have a minimum CRI of 80. Drivers are 0-10v dimming with universal voltage. Extruded aluminum heat sinking system provides optimal thermal management.

Five year warranty provided on modules and drivers.

Finish: Polyester powder coating on all metal parts. Color to be specified.

Listing: Luminaire is ETL listed for wet locations.



Specifications

Series	Wattage/Lamp	Volts
AM-1	35w/LED = 35/LED	UV
AM-1	55w/LED = 55/LED	UV
AM-1	70w/LED = 70/LED	UV
AM-1	110w/LED = 11/LED	UV

Options	Finish
WM = Wall Mount	BZ = Bronze
1A = Single Pole Mount	BK = Black
2A = Twin Pole Mount	WH = White
30k = 3000k R3 = Type 3	SL = Silver
40k = 4000k R4 = Type 4	CC = Custom Color
50k = 5000k R5 = Type 5	

Example

70 Watt LED, 120 Volts, Single Pole Mount, 5000k, Type 3, Bronze
AM170/LED-UV/1A/50k/R3/BZ