

## Features and Characteristics

Alumilite designs reliable products produced with the best available materials, and we stand behind them with superior customer service. Please contact us for more information.

**Housing:** Heavy gauge spun aluminum shroud has an internal door frame support welded to the housing.

**Lens Assembly:** Spun aluminum door frame with heat tempered glass is gasketed and secured to the housing with three stainless steel fasteners.

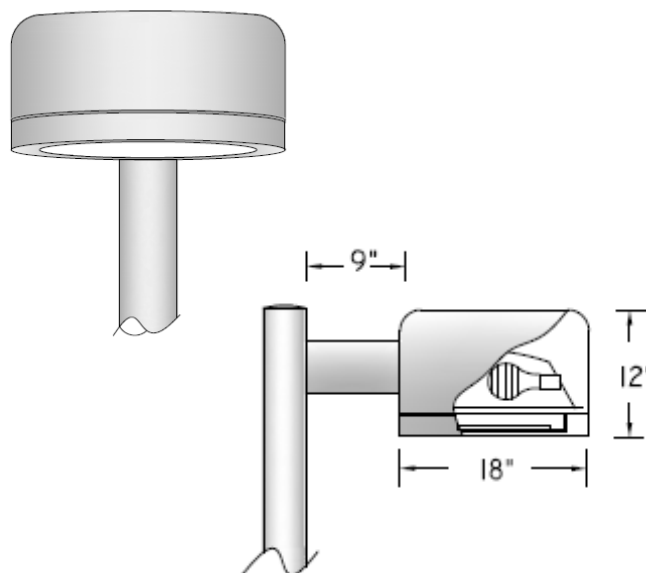
**Optical Assembly:** Hydroformed reflector produces an IES type 3 distribution for QL. LED are provided in types 3, 4 and 5 distributions.

**Mounting Bracket:** Extruded aluminum arm is secured to housing and pole with two 3/8" steel bolts. Optional wall "WM" or pendant "PDM" mounting.

**Ballast/Module/Driver:** Phillips compact lightweight, high-frequency QL systems are available in 55w/3500lm, 85w/6000lm and 165w/12000lm. Available in 3000, 3500 or 4000k. HPWinner modules have high quality Lumiled LED's with IP-68 rating and waterproof connectors. Type 3, 4 and 5 distributions available with 55w/6100lm, 70w/9000lm and 110w/12200lm modules in 3000, 4000 and 5000k. Drivers are 0-10v dimming with universal voltage. Extruded aluminum heat sinking system provides optimal thermal management.

**Finish:** Polyester powder coating on all metal parts. Color to be specified.

**Listing:** Luminaire is ETL listed for wet locations.



## Specifications

Series	Wattage/Lamp	Volts
HP-18	55w/QL = 55QL	120
HP-18	85w/QL = 85QL	208
HP-18	165w/QL = 16QL	240
HP-18	55w/LED = 55/LED	277
HP-18	70w/LED = 70/LED	UV
HP-18	110w/LED = 11/LED	UV

Options	Finish
1A = Single Head	BZ = Bronze
2A = Double Head	BK = Black
WM = Wall Mount	WH = White
PDM = Pendant Mount	SL = Silver
PH = Photo Cell	CC = Custom Color
30k = 3000k	R3 = Type 3
35k = 3500k	R4 = Type 4
40k = 4000k	R5 = Type 5
50k = 5000k	

## Example

70 Watt LED, 120 Volts, Single Head, 4000k, Type 3, Bronze  
HP1870/LED-UV/1A/40k/R3/BZ