

Features and Characteristics

Alumilite designs reliable products produced with the best available materials, and we stand behind them with superior customer service. Please contact us for more information.

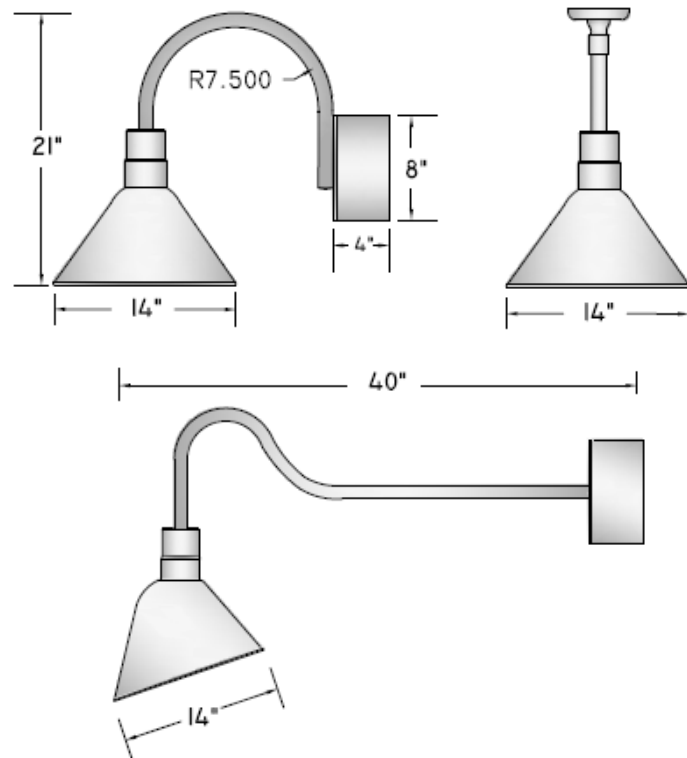
Housing: Spun aluminum shroud is threaded for 3/4" arm bracket. Standard shroud is angled. Optional with a straight shroud "SS".

Enclosure: Clear tempered glass threads into cast aluminum adapter which is mounted to the shroud.

Module/Driver: Cree LED modules are incased in a cast aluminum housing and sealed with diffused dome lens. 9w/850 lm and 12w/1250 lm modules are available in 3000, 3500 and 4000k with a minimum CRI of 90. Drivers have 0-10v dimming and operate on 120 or 277 volts. Drivers are installed in a cast aluminum housing that has a steel plate that bolts directly to the wall or j-box.

Finish: Polyester powder coating on all metal parts. Color to be specified.

Listing: Luminaire is ETL listed for wet locations.



Specifications

Series	Wattage/Lamp	Volts
AR-14	9w/LED = 09/LED	120
AR-14	12w/LED = 12/LED	277

Options	Finish
3000k = 30k	BZ = Bronze
3500k = 35k	BK = Black
4000k = 40k	WH = White
FG = Frosted Glass	SL = Silver
PG = Prismatic Glass	CC = Custom Color
SS = Straight Shroud	

Example

12 Watt, LED, 120 Volts, Prismatic Glass, 3500k, Bronze
AR1412/LED-120/PG/35k/BZ