

## Features and Characteristics

Alumilite designs reliable products produced with the best available materials, and we stand behind them with superior customer service. Please contact us for more information.

**Housing:** A heavy duty spun aluminum shroud with three aluminum disks is provided with dome top cap. The shroud, disk, cap and arm assembly are built as one unit for ease in installation.

**Dome Cap:** The rugged hydroformed aluminum cap with a hemispherical shape rests on the top disk. Cap is welded to the mounting arm and to the housing assembly.

**Disk Assembly:** Three heavy gauge aluminum disks are secured in position with three satin aluminum spacers and internal tie rods.

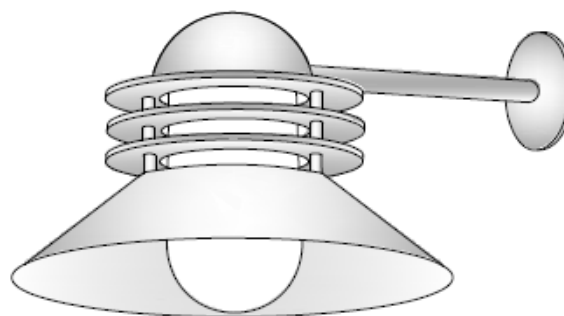
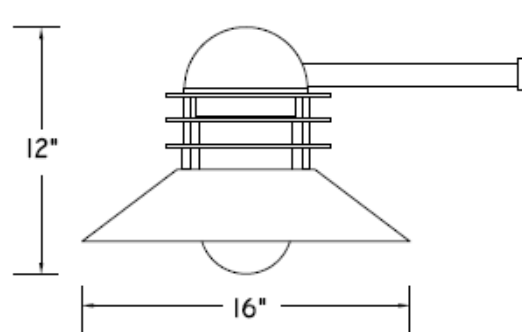
**Enclosure:** A clear glass enclosure with threaded neck is provided as standard. Optional units can be ordered with outside sandblasted or with vertical prismatic ribs. The enclosure is secured to a threaded cast aluminum fitter which is mounted in the dome.

**Mounting Bracket:** Extruded aluminum arm is internally welded to the cast aluminum mounting plate and to the dome cap. The mounting plate bolts to driver housing, which bolts to the wall or j-box.

**Module/Driver:** Cree LED modules are incased in a case aluminum housing with diffused dome lens. 12w/1250lm, 20w/2000lm and 30w/3000lm modules are available in 3000, 3500 and 4000k with a minimum CRI of 90. Drivers are 0-10v dimming with universal voltage, except for 12 watt, which are 120 or 277v.

**Finish:** Polyester powder coating on all metal parts. Color to be specified.

**Listing:** Luminaire is ETL listed for wet locations.



## Specifications

Series	Wattage/Lamp	Volts
VK-2	12w/LED = 12/LED	120
VK-2	20w/LED = 20/LED	277
VK-2	30w/LED = 30/LED	UV

Options	Finish
3000k = 30k	BZ = Bronze
3500k = 35k	BK = Black
4000k = 40k	WH = White
CG = Cast Guard	SL = Silver
PG = Prismatic Glass	CC = Custom Color
FG = Frosted Glass	
PDM = Pendant Mount	

## Example

20 Watt, LED, 120 Volts, Frosted Glass, 3500k, Bronze  
VK-220/LED-UV/FG/35k/BZ