

## Features and Characteristics

Alumilite designs reliable products produced with the best available materials, and we stand behind them with superior customer service. Please contact us for more information.

**Shroud:** Heavy duty spun aluminum shroud is removable for servicing LED module. Shroud is secured to driver housing with two 3/4" aluminum support brackets.

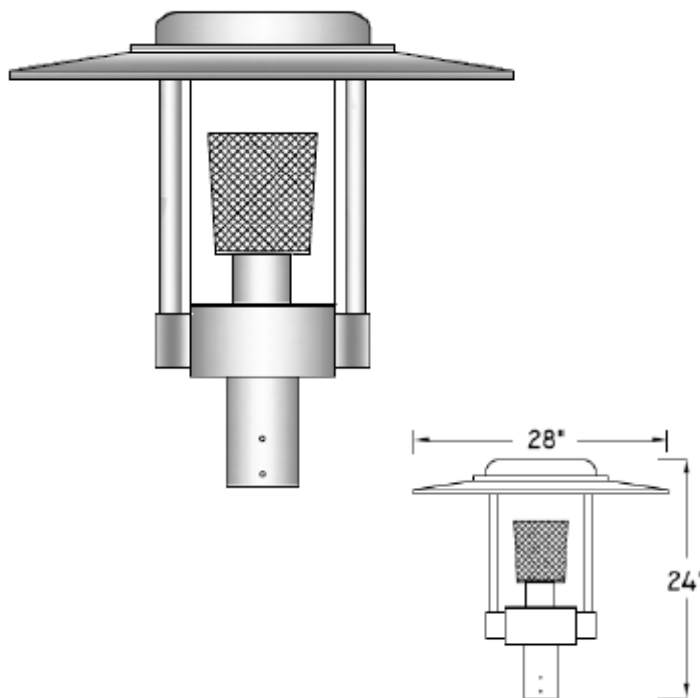
**Enclosure:** Clear acrylic lens is sealed at top and bottom to prevent insect and water entry. Internal glass refractor produces a smooth type 5 distribution. Optional with type 3 refractor "RF3".

**Mounting Bracket:** Standard post top mounting bracket slips over a 3.5" diameter pole tenon and is secured with (6) stainless steel set screws. Optional wall mount bracket is fabricated from 2" x 2" extruded aluminum tubes that are welded to mounting plate and 3.5" round pipe, which slides inside the fixture and is secured with set screws.

**Module/Driver:** Cree LED modules are incased in a cast aluminum housing and sealed with diffused dome lens. They provide industry-leading efficacy (steady state) of up to 97 lm/W for 20w/2000lm and 30w/3000lm and 108 lm/W for 40w/4000lm. Modules are available in 3000, 3500 and 4000k and have a minimum CRI of 90. Drivers have universal voltage. Extruded aluminum heat sinking system provides optimal thermal management.

**Finish:** Polyester powder coating on all metal parts. Color to be specified.

**Listing:** Luminaire is ETL listed for wet locations.



## Specifications

Series	Wattage/Lamp	Volts
VK-39	20w/LED = 20/LED	UV
VK-39	30w/LED = 30/LED	UV
VK-39	40w/LED = 40/LED	UV

Options	Finish
30k = 3000k	BZ = Bronze
35k = 3500k	BK = Black
40k = 4000k	WH = White
RF3 = Type 3 Refractor	SL = Silver
WM = Wall Mount	CC = Custom Color

## Example

40 Watt LED, 120 Volts, 3500k, Bronze  
VK-3940/LED-UV/35k/BZ