

## Features and Characteristics

Alumilite designs reliable products produced with the best available materials, and we stand behind them with superior customer service. Please contact us for more information.

**Housing:** The heavy duty spun aluminum shroud is welded to the 8" diameter extruded aluminum thorax and sealed to prevent water entry. The top cap seals driver compartment and is removable for accessing ballast by two stainless steel fasteners.

**Dome Cap:** The rugged hydroformed aluminum cap with a hemispherical shape rests on the cast aluminum ring welded to the extruded thorax. Cap is gasketed to prevent water or insect entry.

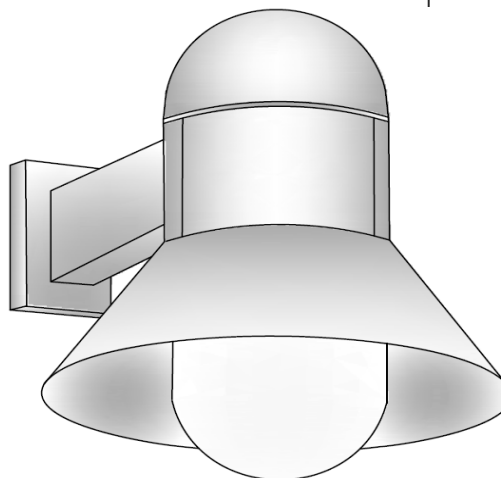
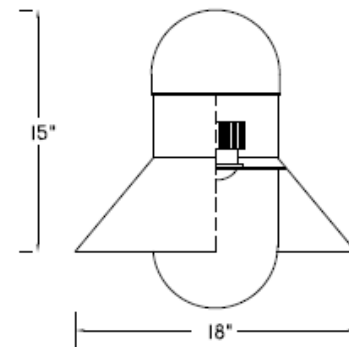
**Enclosure:** An 8" diameter seamless white polycarbonate enclosure is gasketed and secured to a cast ring in shroud with two thumb screws.

**Mounting Bracket:** Extruded aluminum arm is internally welded to cast back plate and to housing. A heavy duty steel zinc plated bracket mounts to the J-Box and wall surface and is attached to the cast plate with two stainless steel fasteners. Direct mount to pole is optional. "PM"

**Module/Driver:** Cree LED modules are incased in a cast aluminum housing and sealed with diffused dome lens. They provide industry-leading efficacy of up to 97 lm/W for 20w/2000-30w/3000lm, 108 lm/W for 40w/4000 lm and 85 lm/W for 70w/6000lm. Available in 3000, 3500 and 4000k with minimum CRI of 90. Drivers have universal voltage and 0-10v dimming.

**Finish:** Polyester powder coating on all metal parts. Color to be specified.

**Listing:** Luminaire is ETL listed for wet locations.



## Specifications

Series	Wattage/Lamp	Volts
VK-4	20w/LED = 20/LED	UV
VK-4	30w/LED = 30/LED	UV
VK-4	40w/LED = 40/LED	UV
VK-4	70w/LED = 70/LED	UV

Options	Finish
3000k = 30k	BZ = Bronze
3500k = 35k	BK = Black
4000k = 40k	WH = White
2F = Double Fuse	SL = Silver
PH = Photo Cell	CC = Custom Color

## Example

40 Watt, LED, 120 Volts, 3000k, Bronze  
VK-440/LED-UV/30k/BZ