

## Features and Characteristics

Alumilite designs reliable products produced with the best available materials, and we stand behind them with superior customer service. Please contact us for more information.

**Top Cap:** Cast aluminum top is removable for ease in accessing LED lamp modules.

**Lens Assembly:** Extruded .187 wall opal acrylic lens is secured between the top and bottom of shaft. Lens is gasketed at both ends to prevent entry of water and insects.

**Shaft Construction:** Heavy gauge .125" wall extruded aluminum forms the bollard shaft. Optional with 180° perforated shield with 1/4" holes. Shields are secured to the bollard with four flush stainless steel fasteners.

**Anchor Base:** Shaft is welded to heavy duty decorative cast aluminum base. Access cover is attached with two stainless steel fasteners. Base is secured to foundation with four 3/4" x 16" long anchor bolts.

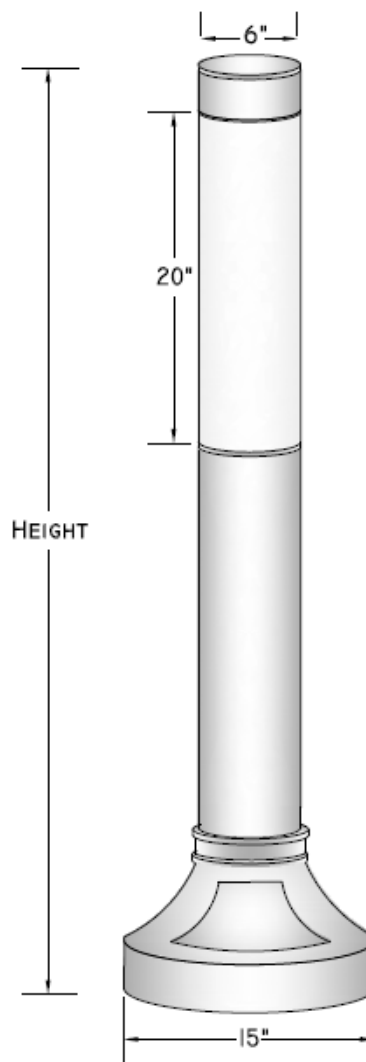
**Lamp Modules:** T8 LED Linear Versa tubes are available in 10w/1075lm or 15w/1785lm per lamp. Two lamps are provided with each bollard. Lamps are universal voltage 120-277 and provide a minimum CRI of 90. Lamps produce 125 lumens per watt and are available in 3000, 4000 or 5000k. Operating temperature range is -22° F to 104° F. Three (3) year warranty provided on lamps.

**Finish:** Polyester powder coating on all metal parts. Color to be specified.

**Listing:** Luminaire is ETL listed for wet locations.

## Specifications

Series	Wattage/Lamp	Volts	Height
FB-6	20w/LED = 20/LED	UV	48"
FB-6	30w/LED = 30/LED	UV	60"
			72"



Options	Finish
3000k = 30k	BZ = Bronze
4000k = 40k	BK = Black
5000k = 50k	WH = White
PH = Button Cell	SL = Silver
SP = 10kv Surge Protector	CC = Custom Color
18PS = 180° Perf. Shield	

## Example

30 Watt, LED, 120 Volts, 48" tall, 4000k, Bronze  
 FB-630/LED-UV/48"/40k/BZ