

Features and Characteristics

Alumilite designs reliable products produced with the best available materials, and we stand behind them with superior customer service. Please contact us for more information.

Housing: Four heavy gauge extruded aluminum sections interlock to form the housing. Upper lens frame is internally welded to the housing.

Lens Assembly: Clear tempered glass lens are sealed in regressed cast frames. Lower frame is removable to access the lamp. It is gasketed and secured to the housing with three stainless steel set screws. Optional with prismatic glass "PG".

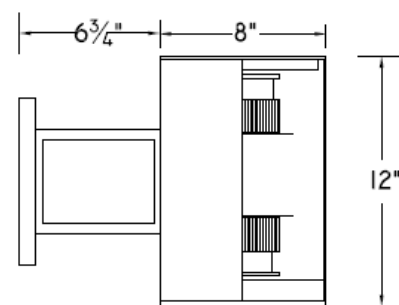
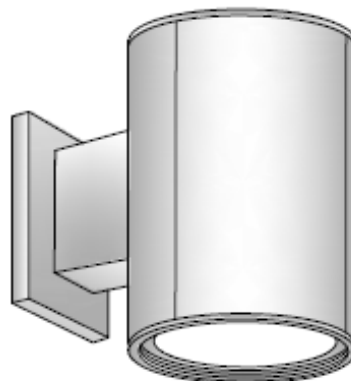
Optical System: Semi-specular reflectors with low iridescent finish produce a smooth symmetric distribution. Optional with down light only "DLO".

Mounting Bracket: Extruded aluminum arm is internally welded to cast cover and housing. Steel zinc-plated bracket mounts to the wall surface and is secured to the cover with two stainless steel fasteners. A gasketed access panel for servicing the ballast is secured with four tamper resistant screws.

Module/Driver: Cree LED modules are incased in a cast aluminum housing and sealed with diffused lens. They provide industry-leading efficacy (steady state) of 97 lm/W for the 9w/850lm and 12w/1250lm modules. Modules are available in 3000, 3500 and 4000k with minimum CRI of 90. Drivers are 0-10v dimming in 120 or 277 volts. Extruded aluminum heat sinking system provides optimal thermal management.

Finish: Polyester powder coating on all metal parts. Color to be specified.

Listing: Luminaire is ETL listed for wet locations.



Specifications

Series	Wattage/Lamp	Volts
YRW-1	9 w/LED = 809/LED	120
YRW-1	12w/LED = 812/LED	277

Options	Finish
3000k = 30k	BZ = Bronze
3500k = 35k	BK = Black
4000k = 40k	WH = White
PG = Prismatic Glass	SL = Silver
DLO = Down Light Only	CC = Custom Color
PH = Photo Cell	

Example

12 Watt, LED, 120 Volts, 3500k, Bronze
YRW-1-812/LED-120v/35k/BZ