

Features and Characteristics

Alumilite designs reliable products produced with the best available materials, and we stand behind them with superior customer service. Please contact us for more information.

Housing: Four heavy gauge extruded aluminum sections interlock to form the cylinder. LED Driver support brackets with 1/4" threaded studs are internally welded to the housing. Cast cap with heat fins is welded to the housing.

Lens Assembly: Clear tempered glass lens is secured in regressed cast aluminum frame. The frame is welded to two extruded sections which easily slides down for maintenance by removing one flush stainless steel screw. A safety chain secures the frame in place.

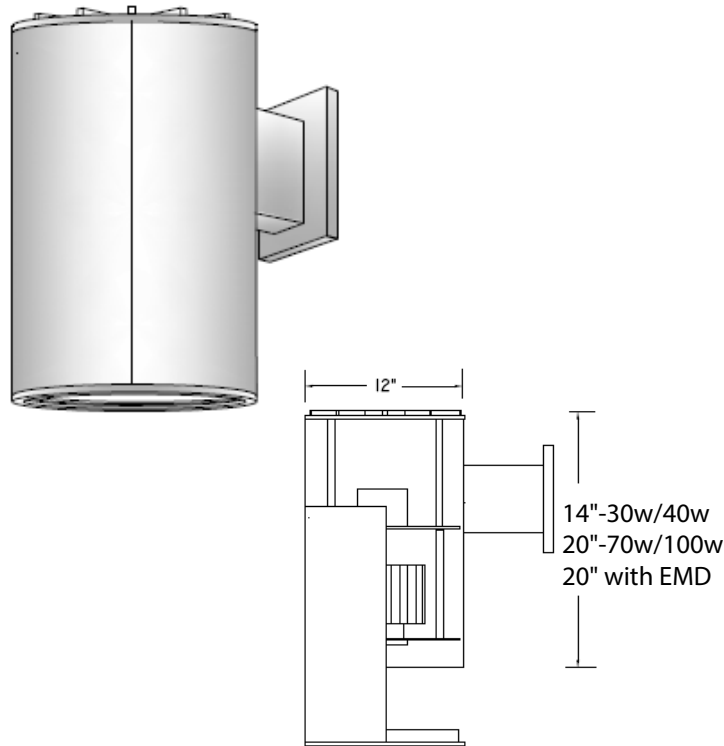
Optical System: Spun aluminum reflector with semi-specular finish produces a smooth symmetrical distribution.

Mounting Bracket: Extruded aluminum arm is internally welded to cast back plate. Arm is bolted to housing with two 3/8" bolts. Steel zinc plated bracket mounts to wall surface and is attached to the cast plate with two stainless steel fasteners.

Modules/Driver: Cree LED modules are incased in a cast aluminum housing and sealed with diffused lens. They provide industry-leading efficacy (steady state) of 97 lm/W for 30w/3000lm, 108 lm/W for 40w/4000lm and 85 lm/W for 70w/6000lm and 100w/8000lm modules. All are available in 3000, 3500 and 4000k and have a minimum CRI of 90. Drivers are universal voltage and 0-10v dimming. Emergency drivers available for 20, 30 and 40 watt "EMD".

Finish: Polyester powder coating on all metal parts. Color to be specified.

Listing: Luminaire is ETL listed for wet locations.



Specifications

Series	Wattage/Lamp	Volts
YRW	30w/LED = 1230/LED	UV
YRW	40w/LED = 1240/LED	UV
YRW	70w/LED = 1270/LED	UV
YRW	100w/LED = 1210/LED	UV

Options	Finish
3000k = 30k	BZ = Bronze
3500k = 35k	BK = Black
4000k = 40k	WH = White
PH = Photo Cell	SL = Silver
FG = PrismaticGlass	CC = Custom Color
EMD = Emergency Driver	

Example

70 Watt, LED, 120 Volt, 3500k, Bronze
YRW-1270/LED-UV/35K/BZ