

Features and Characteristics

Alumilite designs reliable products produced with the best available materials, and we stand behind them with superior customer service. Please contact us for more information.

Housing: Extruded aluminum tube with .125" wall thickness is welded to the arm bracket.

Lens Assembly: Clear heat tempered glass lens are sealed in regressed cast aluminum frames.

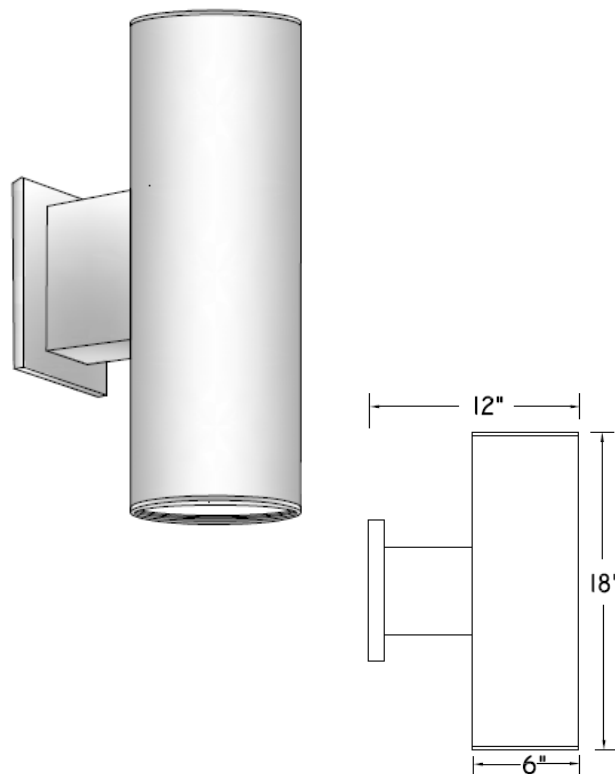
Optical System: Spun aluminum reflectors with semi specular finish produces a smooth symmetrical distribution.

Mounting Bracket: Extruded aluminum arm is internally welded to cast back plate. Arm is welded to housing. Steel zinc plated bracket mounts to wall surface and is attached to the cast plate with two stainless steel fasteners.

Module/Driver: Cree LED modules are incased in a cast aluminum housing and sealed with diffused lens. They provide industry-leading efficacy (steady state) of up to 97 lm/W for 9w/850lm, 12w/1250lm and 20w/2000lm modules. Available in 3000, 3500 and 4000k with minimum CRI of 90. Drivers for 9 and 12 watt are either 120 or 277 volts. 20 watt driver is universal voltage. All drivers have 0-10v dimming.

Finish: Polyester powder coating on all metal parts. Color to be specified.

Listing: Luminaire is ETL listed for wet locations.



Specifications

Series	Wattage/Lamp	Volts
YRW-2	9 w/LED = 609/LED	120
YRW-2	12w/LED = 612/LED	277
YRW-2	20w/LED = 620/LED	UV

Options	Finish
3000k = 30k	BZ = Bronze
3500k = 35k	BK = Black
4000k = 40k	WH = White
PG = Prismatic Glass	SL = Silver
OB = Open Bottom	CC = Custom Color
PH = Photo Cell	

Example

20 Watt, LED, 120 Volts, 4000k, Bronze
YRW-2-620/LED-120v/40k/BZ