

## Features and Characteristics

Alumilite designs reliable products produced with the best available materials, and we stand behind them with superior customer service. Please contact us for more information.

**Housing:** Four heavy gauge extruded aluminum sections interlock to form the cylinder housing. Three sections are welded to cast top cap and one section is welded to cast lens frame.

**Lens Assembly:** Clear heat tempered glass lens is sealed in regressed cast aluminum frame. The frame is welded to one section of housing which easily slides down for maintenance by removing one flush stainless steel screw. Safety chain secures frame in place.

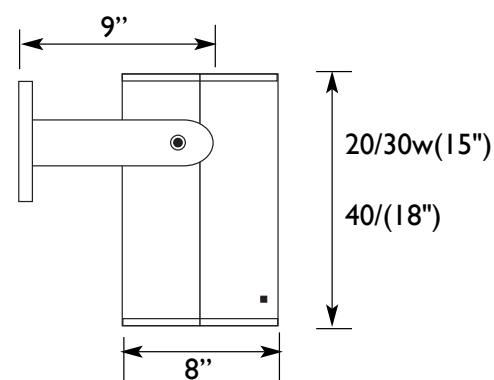
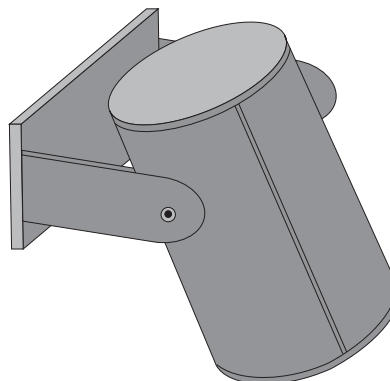
**Optical System:** Spun aluminum reflector with semi-specular finish is attached to cast frame. Reflector provides a smooth distribution.

**Mounting Bracket:** Heavy gauge aluminum yoke bracket allows vertical adjustment up to 90°. Two flat head screws secure yoke to the housing. One 1/4-20 stainless steel set screw secures fixture in horizontal position. Optional as up mount "UM".

**Module/Driver:** Cree LED modules are incased in a cast aluminum housing and sealed with diffused lens. They provide industry-leading efficacy (steady state) of up to 97 lm/W for 20w/2000 and 30w/3000lm and 108 lm/W for 40w/4000lm. Modules are available in 3000, 3500 and 4000k and have a minimum CRI of 90. Drivers are 0-10v dimming with universal voltage. Extruded aluminum aluminum heat sinking system provides optimal thermal management.

**Finish:** Polyester powder coating on all metal parts. Color to be specified.

**Listing:** Luminaire is ETL listed for wet locations.



## Specifications

Series	Wattage/Lamp	Volts
YRY	20w/LED = 820/LED	UV
YRY	30w/LED = 830/LED	UV
YRY	40w/LED = 840/LED	UV

Options	Finish
3000k = 30k	BZ = Bronze
3500k = 35k	BK = Black
4000k = 40k	WH = White
PH = Photo Cell	SL = Silver
FG = Frosted Glass	CC = Custom Color
UP = Up Mount	

## Example

40 Watt, LED, 120 Volt, 4000k, Bronze  
YRY-840/LED-UV/40K/Bz