

Features and Characteristics

Alumilite designs reliable products produced with the best available materials, and we stand behind them with superior customer service. Please contact us for more information.

Housing: Four extruded aluminum sections interlock to form the housing. Two sections are welded to the cast top plate and two sections to the lens frame. The lower section slides down to access the electrical system. It is held in place with aircraft cable. Housing is secured with a single flush stainless steel fastener.

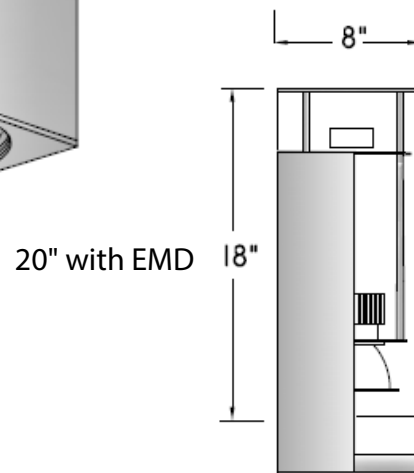
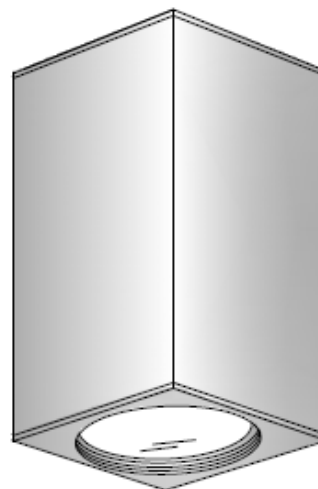
Lens Assembly: Clear tempered glass lens is secured in the cast aluminum regressed frame.

Optical System: Semi-specular reflector produces a smooth symmetrical distribution.

Modules/Driver: Cree LED modules are incased in a cast aluminum housing and sealed with diffused lens. They provide industry-leading efficacy of up to 97 lm/W for 20w/2000, 30w/3000lm and 108 lm/W for 40w/4000lm. Available in 3000, 3500 and 4000k. Drivers are 0-10v dimming with universal voltage. Extruded aluminum heat sinking system provides optimal thermal management. Emergency driver available for non cold weather application "EMD".

Finish: Polyester powder coating on all metal parts. Color to be specified.

Listing: Luminaire is ETL listed for wet locations.



Specifications

Series	Wattage/Lamp	Volts
YSC	20w/LED = 820/LED	UV
YSC	30w/LED = 830/LED	UV
YSC	40w/LED = 840/LED	UV

Options	Finish
3000k = 30k	BZ = Bronze
3500k = 35k	BK = Black
4000k = 40k	WH = White
PH = Photo Cell	SL = Silver
PG = Glass Prismatic	CC = Custom Color
EMD = Emergency Driver	

Example

40 Watt, LED, 120 Volt, 4000k, Bronze
 YSC-840/LED-UV/40K/Bz