

## Features and Characteristics

Alumilite designs reliable products produced with the best available materials, and we stand behind them with superior customer service. Please contact us for more information.

**Housing:** Four extruded aluminum sections interlock to form the housing. Two sections are internally welded to lower cast lens frame and two sections are bolted to mounting bracket and welded to upper lens frame.

**Lens Assembly:** Clear tempered glass lens are sealed in cast regressed frames. Lower section easily slides down for maintenance by removing one flush stainless steel screw. A safety chain secures the frame in place.

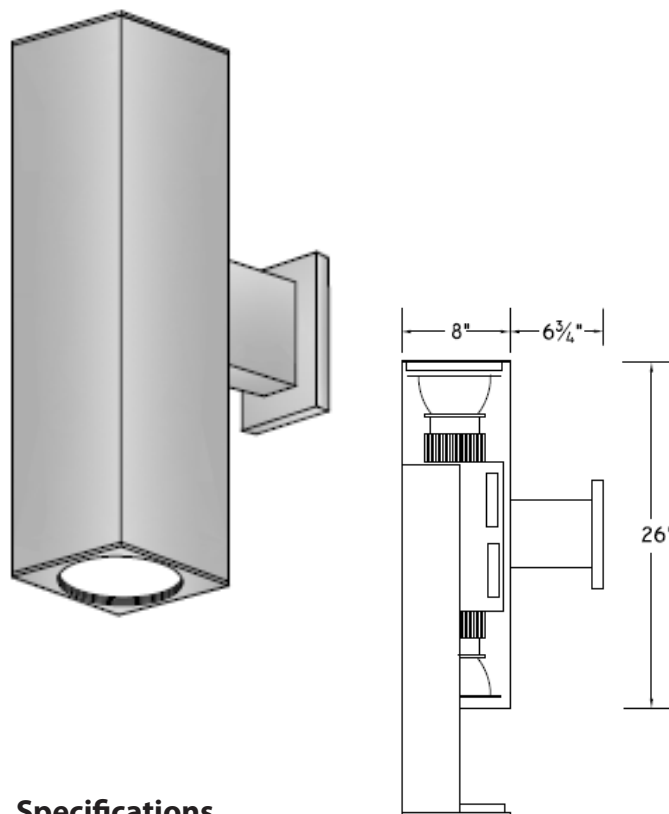
**Optical System:** Spun aluminum reflectors with semi-specular finish are attached to frames. Reflectors provide a symmetrical distribution.

**Mounting Bracket:** Extruded aluminum arm is internally welded to cast back plate. Arm is bolted to housing with two 3/8" bolts. Steel zinc plated bracket mounts to wall surface and is attached to the cast plate with two stainless steel fasteners.

**Module/Driver:** Cree LED modules are incased in a cast aluminum housing and sealed with diffused lens. They provide industry-leading efficacy (steady state) of up to 97 lm/W for 20w/2000, 30w/3000lm and 108 lm/W for 40w/4000lm. Modules are available in 3000, 3500 and 4000k and have a minimum CRI of 90. Drivers are 0-10v dimming with universal voltage.

**Finish:** Polyester powder coating on all metal parts. Color to be specified.

**Listing:** Luminaire is ETL listed for wet locations.



## Specifications

Series	Wattage/Lamp	Volts
YSW-2	20w/LED = 820/LED	UV
YSW-2	30w/LED = 830/LED	UV
YSW-2	40w/LED = 840/LED	UV

Options	Finish
3000k = 30k	BZ = Bronze
3500k = 35k	BK = Black
4000k = 40k	WH = White
PG = Prismatic Glass	SL = Silver
OB = Open Bottom	CC = Custom Color
PH = Photo Cell	

## Example

40 Watt, LED, 120 Volts, 4000k, Bronze  
YSW-2-840/LED-120v/40k/BZ