

Features and Characteristics

Alumilite designs reliable products produced with the best available materials, and we stand behind them with superior customer service. Please contact us for more information.

Housing: Seamless one piece spun aluminum housing is produced with 3/4" NPT coupling welded to top for ease in the installation of pendant.

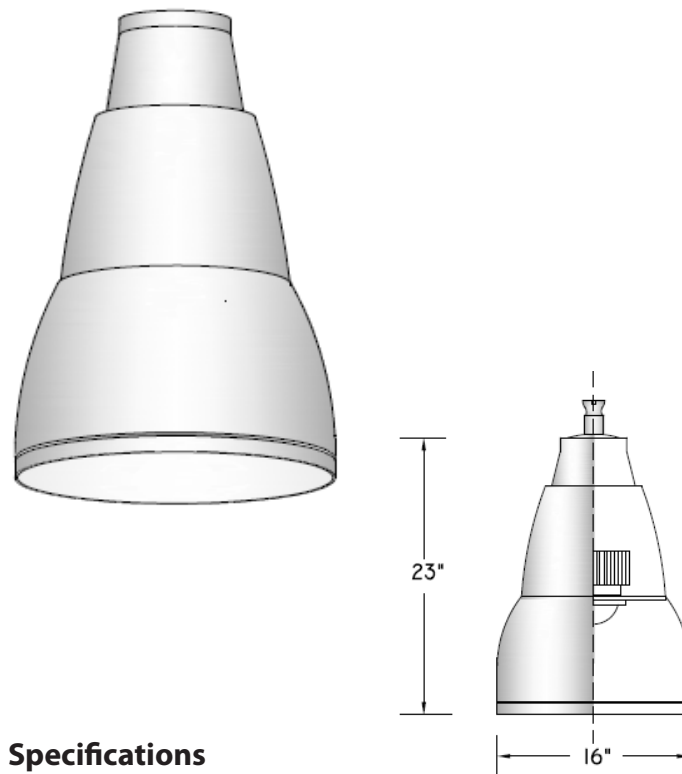
Optical System: Spun aluminum reflector with semi-specular finish produces a smooth symmetrical distribution.

Pendant Assembly: Extruded aluminum pendant is threaded for secure fit to housing cap. It is provided with a swivel canopy and universal bracket for mounting to J-Box. Pendant length must be specified when ordering. Optional with aircraft cable, black or white cord and canopy. Specify length and color.

Module/Driver: Cree LED modules are incased in a cast aluminum housing and sealed with diffused dome lens. They provide industry-leading efficacy (steady state) of up to 97 lm/W for 20w/2000lm and 30w/3000lm, 108 lm/W for 40w/4000lm and 85 lm/W for 70w/6000lm. Modules are available in 3000, 3500 and 4000k with a minimum CRI of 90. Drivers are 0-10v dimming with universal voltage. Extruded aluminum heat sinking system provides optimal thermal management.

Finish: Polyester powder coating on all metal parts. Color to be specified.

Listing: Luminaire is ETL listed for wet locations.



Specifications

Series	Wattage/Lamp	Volts
YVP	20w/LED = 1620/LED	UV
YVP	30w/LED = 1630/LED	UV
YVP	40w/LED = 1640/LED	UV
YVP	70w/LED = 1670/LED	UV

Options	Pendant Length	Finish
3000k = 30k	12"	BZ = Bronze
3500k = 35k	24"	BK = Black
4000k = 40k	36"	WH = White
ACC = Aircraft Cable	48"	SL = Silver
Specified Length	Other	CC = Custom Color

Example

40 Watt, LED, 120 Volts, 3500k, Bronze
YVP-1620/LED-UV/35k/BZ