

Features and Characteristics

Alumilite designs reliable products produced with the best available materials, and we stand behind them with superior customer service. Please contact us for more information.

Housing: Extruded aluminum housing is internally welded and sealed to prevent water entry or light leaks. Lens frame support is welded to housing and sealed. Top panel is internally welded into extruded side panels.

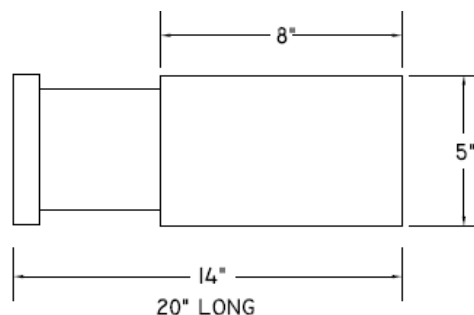
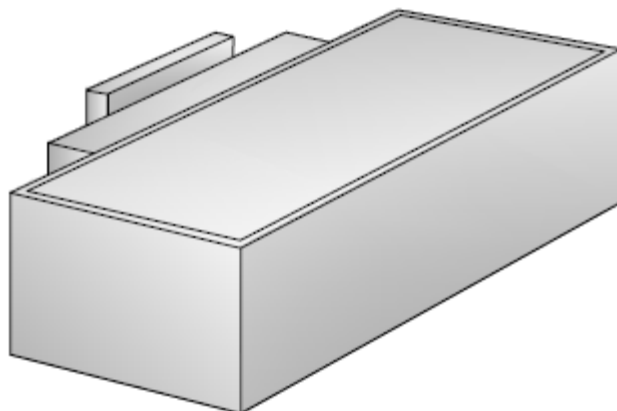
Lens Assembly: Formed from extruded aluminum, the frame rests on the gasketed raised support frame in housing. Clear glass is sealed to frame which is secured to the housing with two tamper resistant stainless steel fasteners.

Module/Driver: HPWinner Modules have high quality Lumiled LED's with an IP-68 rating and waterproof connectors. They are available in type 3 "R3" and 4 "R4" distributions. 35w/4500lm and 55w/6100lm modules are available in 3000, 4000 and 5000k. Drivers have a minimum CRI of 80 with universal voltage and 0-10v dimming. Extruded aluminum heat sinking system provides optimal thermal management.

Mounting Bracket: Steel mounting plate bolts to the wall surface and housing bracket is attached to the plate.

Finish: Polyester powder coating on all metal parts. Color to be specified.

Listing: Luminaire is ETL listed for wet locations



Specifications

Series	Wattage/Lamp	Volts
SE	35w/LED = 135/LED	UV
SE	55w/LED = 155/LED	UV

Options	Finish
3000k = 30k	BZ = Bronze
4000k = 40k	BK = Black
5000k = 50k	WH = White
R3 = Type 3	SL = Silver
R4 = Type 4	CC = Custom Color
PH = Photo Cell	

Example

35Watt, LED, 120 Volts, 4000k, Type 3, Bronze
SE-135/LED-UV/40k/R3/BZ