

Features and Characteristics

Alumilite designs reliable products produced with the best available materials, and we stand behind them with superior customer service. Please contact us for more information.

Face Plate: Formed from one sheet of aluminum, the cage is machined and rolled as one unit. Full length lens supports are internally welded to cage. The face plate secures to the mounting pan with stainless steel fasteners.

Lens: An opal polycarbonate lens which has been UV stabilized for longer life is secured to face-plate. Optional up and down lens are available.

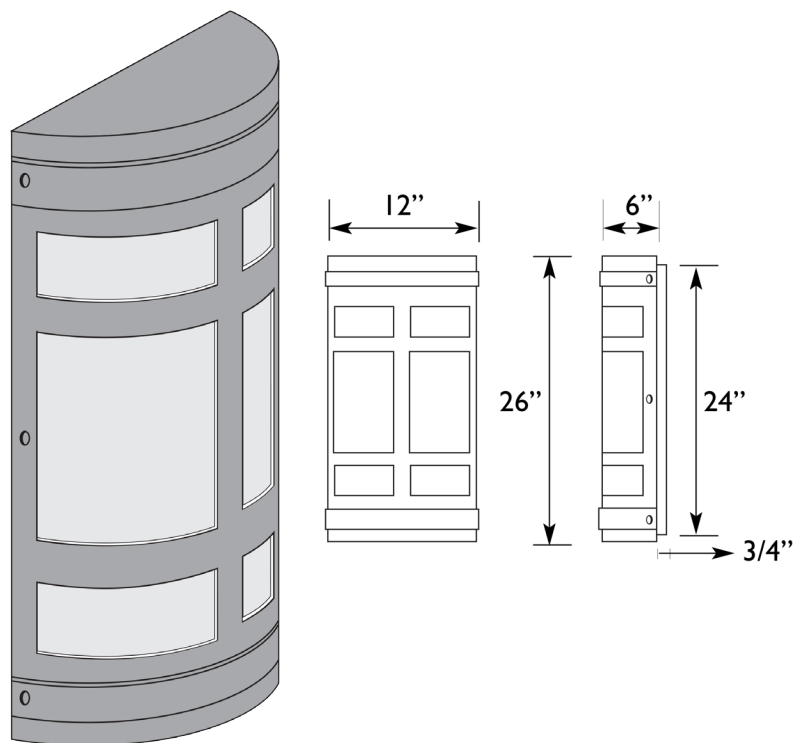
Optical System: Clear specular reflector is provided to help distribute the light in a smooth distribution.

Module/Driver: LED modules are TerraLux linear fully integrated with patented Thermal Management Technology to provide maximum light output at all times. Modules are IP-65 rated with universal voltage and 0-10v dimming. Provided with (2) 13w/700 lm or (2) 15w 860 lm modules in 3000, 3500 or 4000k.

Mounting: Heavy gauge aluminum pan mounts to wall surface. Hardware provided by installer.

Finish: Polyester powder coating on all metal parts. Color to be specified.

Listing: Luminaire is ETL listed for wet locations



Specifications

| Series | Wattage/Lamp | Volts |
|--------|------------------|-------|
| SF1 | 26w/LED = 26/LED | UV |
| SF1 | 30w/LED = 30/LED | UV |

| Options | Finish |
|----------------------|-------------------|
| 3000k = 30k | BZ = Bronze |
| 3500k = 35k | BK = Black |
| 4000k = 40k | WH = White |
| 2F = Double Fuse | SL = Silver |
| UD = Up & Down Light | CC = Custom Color |

Example

30 Watt, LED, 120 Volts, 4000k, Bronze
SF-130w/LED-UV/40k/BZ