

Features and Characteristics

Alumilite designs reliable products produced with the best available materials, and we stand behind them with superior customer service. Please contact us for more information.

Face Plate: Formed from one sheet of aluminum, the cage is machined and rolled as one unit. Full length lens supports are internally welded to cage. The face plate secures to the mounting pan with stainless steel fasteners.

Lens: An opal polycarbonate lens which has been UV stabilized for longer life is secured to face-plate. Optional up and down lens are available.

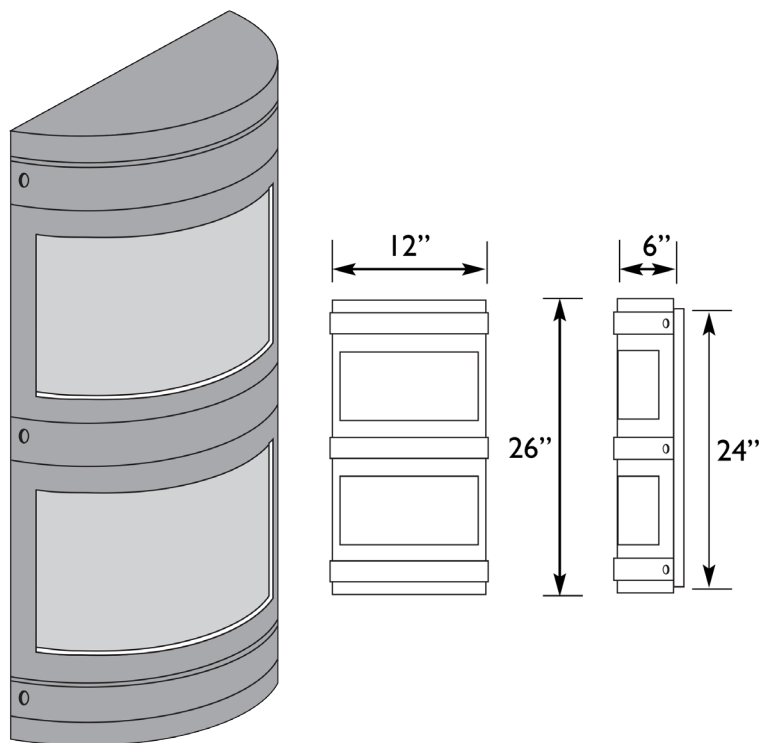
Optical System: Clear specular reflector is provided to help distribute the light in a smooth asymmetric distribution.

Module/Driver: LED modules are TerraLux linear fully integrated with patented Thermal Management Technology to provide maximum light output at all times. Modules are IP-65 rated with universal voltage and 0-10v dimming. Provided with (2) 13w/700 lm or (2) 15w 860 lumen modules in 3000, 3500 or 4000k.

Mounting: Heavy gauge aluminum pan mounts to the wall surface. Hardware provided by installer.

Finish: Polyester powder coating on all metal parts. Color to be specified.

Listing: Luminaire is ETL listed for wet locations



Specifications

Series	Wattage/Lamp	Volts
SF2	26w/LED = 26/LED	UV
SF2	30w/LED = 30/LED	UV

Options	Finish
3000k = 30k	BZ = Bronze
3500k = 35k	BK = Black
4000k = 40k	WH = White
2F = Double Fuse	SL = Silver
UD = Up & Down Light	CC = Custom Color

Example

30 Watt, LED, 120 Volts, 4000k, Bronze
SF-230/LED-UV/40k/BZ