

## Features and Characteristics

Alumilite designs reliable products produced with the best available materials, and we stand behind them with superior customer service. Please contact us for more information.

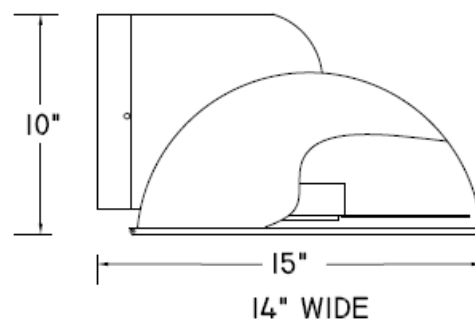
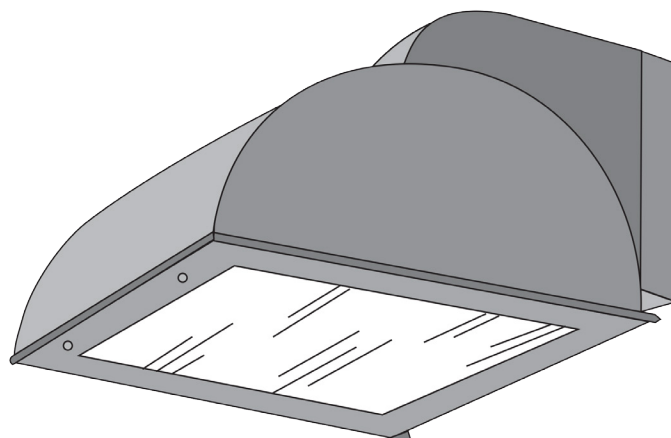
**Housing:** Heavy gauge cast aluminum housing is secured to the ballast compartment with two stainless steel bolts. Housing is field adjustable from zero to ten degrees by loosening two exterior fasteners.

**Lens Frame:** Cast aluminum hinged frame is secured to the housing with two stainless steel fasteners. Clear tempered glass is gasketed and attached to the frame with four clips.

**Module/Driver:** HPWinner LED Modules have high quality Lumiled LED's with an IP-68 rating and waterproof connectors. They are available in type 3 and type 4 distributions with 35w/4500lm or 55w/6100lm. Modules are available in 3000, 4000 and 5000k and have a minimum CRI of 80. Drivers are 0-10v dimming with universal voltage. Extruded aluminum heat sinking system provides optimal thermal management.

**Finish:** Polyester powder coating on all metal parts. Color to be specific .

**Listing:** Luminaire is ETL listed for wet locations



## Specifications

Series	Wattage/Lamp	Volts
SH1	35w/LED = 35/LED	UV
SH1	55w/LED = 55/LED	UV

Options	Finish
3000k = 30k	BZ = Bronze
4000k = 40k	BK = Black
5000k = 50k	WH = White
R3 = Type 3 Distribution	SL = Silver
R4 = Type 4 Distribution	CC = Custom Color
FG = Frosted Glass	
UM = Up Mount	
PH = Photo Cell	

## Example

55 Watt, LED, 120, 4000k, Type 4, Bronze  
SH-155/LED-UV/40k/R4/BZ