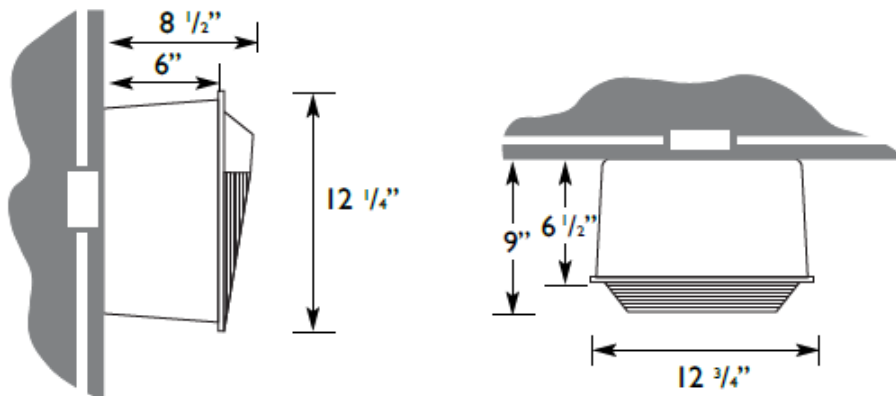


Mounting Configuration

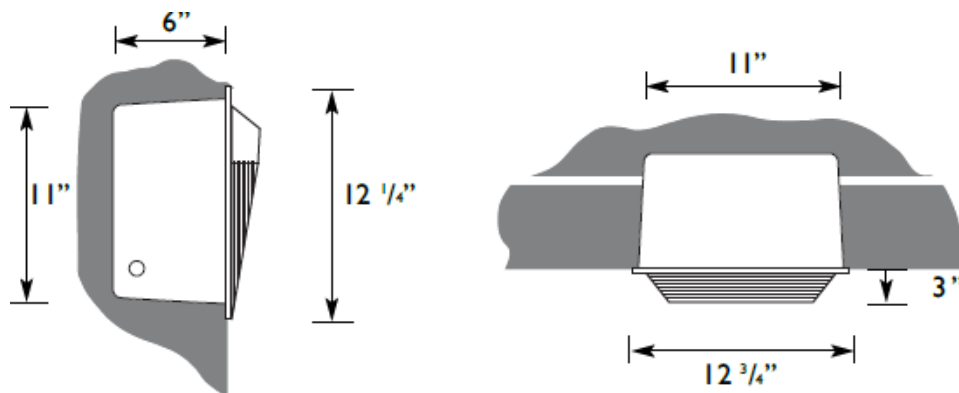
Surface Mount

Use to surface mount over 4" junction box provided by installer



Direct Conduit entry "DC"

Two 1/2" taps for direct conduit entry in surface or recessed applications. Standard on all recessed units.



Plaster Frame "PF"

Use for recessed dry wall and ceiling applications. (2) 1/2" taps provided for thru wiring. Not designed for insulated walls or ceilings

