

## Features and Characteristics

Alumilite designs reliable products produced with the best available materials, and we stand behind them with superior customer service. Please contact us for more information.

**Housing:** Heavy gauge cast aluminum housing is designed for recessed dry or concrete pour applications or surface mounting to ceiling. Unit is gasketed between lens and housing. It is electrically fed through the top of housing.

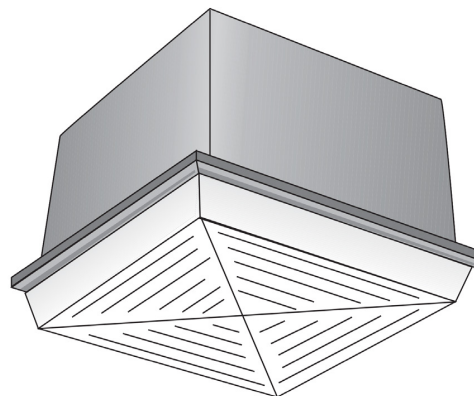
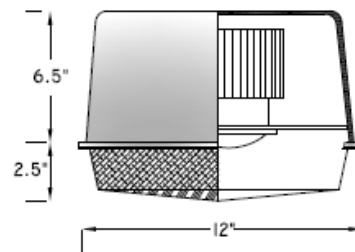
**Lens Assembly:** One-piece injection molded U.V. stabilized polycarbonate lens has prismatic pattern on exterior surface to produce a smooth symmetric distribution. Lens is secured to housing with four stainless steel tamper resistant fasteners.

**Module/Driver:** Cree LED modules are incased in a cast aluminum housing and sealed with diffused lens. They provide industry-leading efficacy (steady state) of up to 97lm/W for 20w 2000/30w 3000lm and 108lm/W for 40w 4000lm.

Modules are available in 3000, 3500 and 4000k and have a minimum CRI of 90. Drivers are 0-10v dimming with universal voltage. Extruded aluminum heat sinking system provides optimal thermal management. Five (5) year warranty on modules and drivers.

**Finish:** Polyester powder coating on all metal parts. Color to be specified. Color to be specified.

**Listing:** Luminaire is ETL listed for wet locations.



## Specifications

Series	Wattage/Lamp	Volts
CM	20w/LED=120/LED	UV 120-277
CM	30w/LED=130/LED	UV 120-277
CM	40w/LED=140/LED	UV 120-277

Options	Finish
27k = 2700k	BZ = Bronze
30k = 3000k	BK = Black
35k = 35k	WH = White
40k = 40k	SL = Silver
DC = Direct Conduit Entry	CC = Custom Color
PF = Plaster Frame	
SM = Surface Mount	
CP = Cover Plate (concrete pour)	

## Example

40 Watt, 120 Volt, Surface Mount, 4000k, Bronze  
CM140/LED-UV/SM/40k/BZ