

## Features and Characteristics

Alumilite designs reliable products produced with the best available materials, and we stand behind them with superior customer service. Please contact us for more information.

**Housing:** Extruded aluminum sides are welded to a cast aluminum back plate. Housing is provided with two (2) wire entry holes. Specify 1/2" or 3/4" NPT. Neoprene gasket is installed between housing and face-plate.

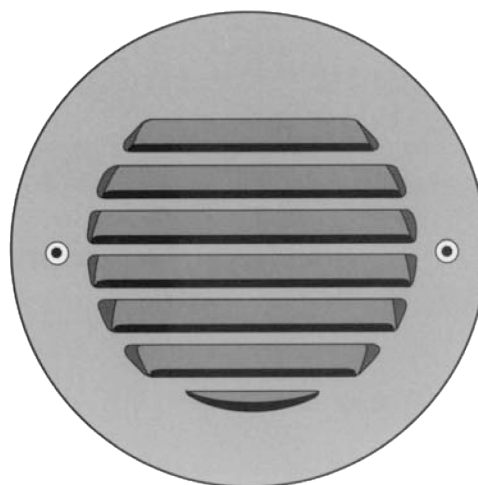
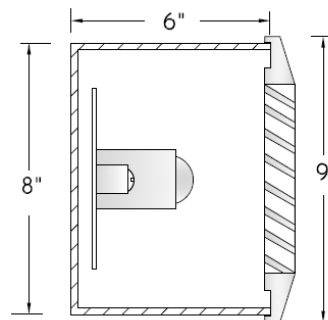
**Face Plate:** Rugged cast aluminum face-plate with 45° louvers, secures clear tempered glass. Face-plate is secured to housing with (2) tamper resistant stainless steel fasteners.

**Reflector:** Specular aluminum reflector provides asymmetric distribution.

**Module/Driver:** LED modules are TerraLux linear fully-integrated with patented Thermal Management Technology to provide maximum light output at all times. Drivers have universal voltage and 0-10v dimming. Modules are IP-65 rated and are available in 2700, 3000, 3500 and 4000k. L70 = 60,000 hr. 8 watt produce 430 lumens and 13 watt produce 700. Modules have a 5-year warranty.

**Finish:** Polyester powder coating on all metal parts. Color to be specified. Color to be specified.

**Listing:** Luminaire is ETL listed for wet locations.



### Specifications

| Series | Wattage/Lamp    | Volts      |
|--------|-----------------|------------|
| CS     | 8w/LED=108/LED  | UV 120-277 |
| CS     | 13w/LED=113/LED | UV 120-277 |

| Options     | Finish      |
|-------------|-------------|
| 27k = 2700k | BZ = Bronze |
| 30k = 3000k | BK = Black  |
| 35k = 3500k | WH = White  |
| 40k = 4000k | SL = Silver |

### Example

13 Watt, LED, 120 Volts, 3500k, Bronze  
CS113/LED-UV/35k/BZ