

## Design Features

**Housing:** The spun aluminum shroud is supplied with a 3/4" threaded coupling for attachment to the arm bracket.

**Enclosure:** Clear tempered glass lens threads into cast aluminum adapter, which is mounted to the shroud. Optional with frosted or prismatic glass.

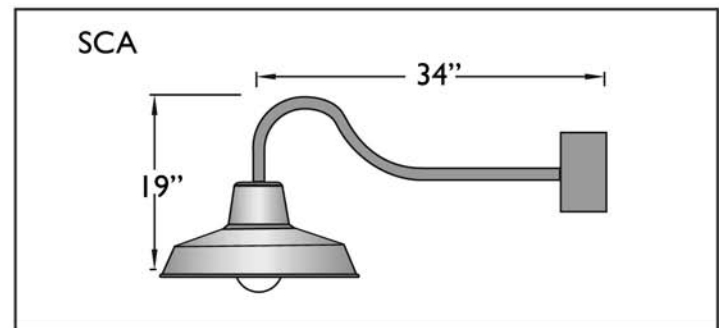
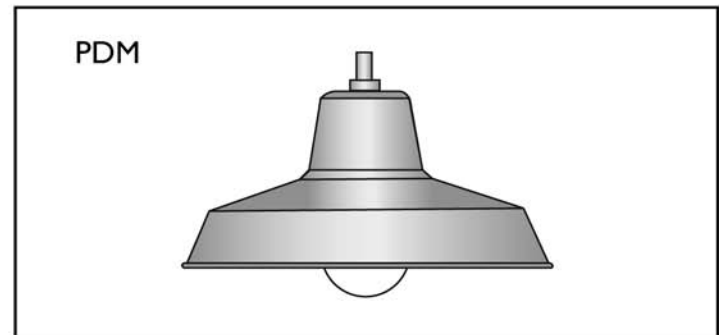
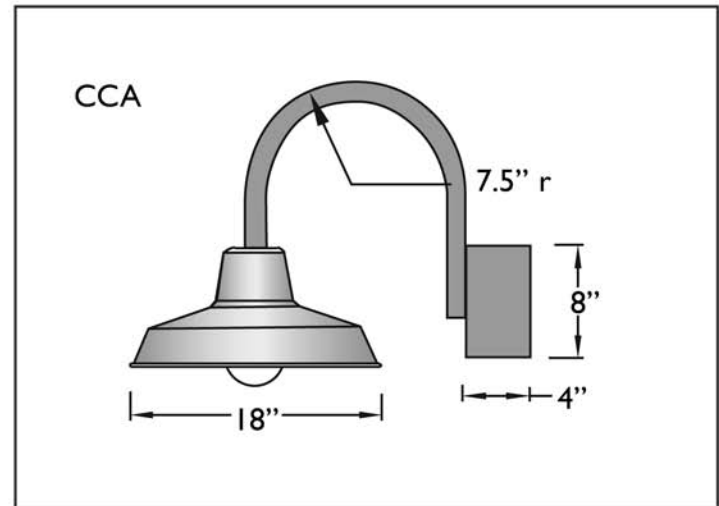
**Ballast Assembly:** Extruded aluminum arm threads into the housing and is welded to the cast aluminum ballast box cover plate. Optional with pendant or black cord mount with swivel canopy.

**Ballast/Socket:** HID ballast are high power factor. CFL are electronic with universal voltage and operate a 26, 32 or 42 watt 4-pin lamp. HID and incandescent sockets are porcelain, medium base and pulse-rated. CFL are thermoplastic.

**Ballast Compartment:** Ballast mounts in the cast aluminum box with two fasteners. A steel zinc plated bracket bolts to the j-box or directly to the wall. The cast ballast compartment bolts to the steel plate with three stainless steel fasteners.

**Finish:** Polyester powder coating on all metal parts. Color to be specified.

**Listing:** Luminaire is ETL listed for wet locations, UL 1598 and Canadian CSA Std. C22.2 No 250.0.



## Specification Guide

Series	Wattage/Lamp	Volts	Options	Finish
RLM-18	70w/MH = 07H	120	1F = Single Fuse	BZ = Bronze
	100w/MH = 10H	208	2F = Double Fuse	BK = Black
	26w/CFL = 26P	240	FG = Frosted Glass	WH = White
	32w/CFL = 32P	277	PG = Prismatic Glass	SL = Silver
	42w/CFL = 42P	UV	CCA = Candy Cane Arm	CC = Custom Color
	200w/INC = 20I		SCA = Shepherd Crook	
			PDM = Pendant Mount	

**Example:** 100 Watt, Metal Halide, 120 Volts, Single Fuse, Bronze  
**RLM1810H-120/1F/BZ**