

## Design Features

**Housing:** The heavy spun aluminum shroud with one aluminum disk is provided with dome cap. The shroud, disk and cap assembly are built as one unit for ease in installation.

**Dome Cap:** The rugged hydroformed aluminum cap with a hemispherical shape rests on the thorax.

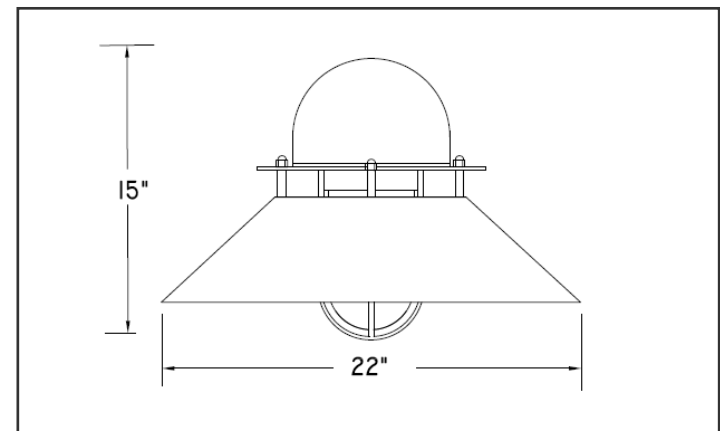
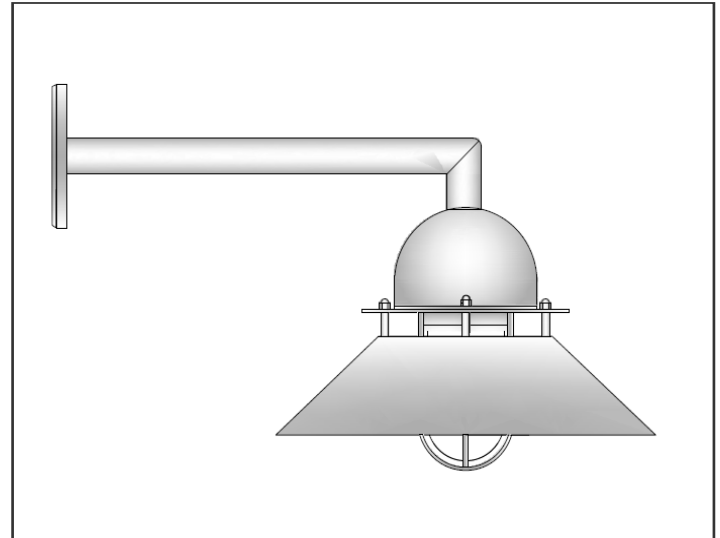
**Enclosure:** A clear glass enclosure with threaded neck is provided as standard. Aluminum guard covers the lens assembly and attaches to the threaded neck.

**Mounting Bracket:** 2" diameter aluminum arm is welded to cast plate and secured to dome with three (3) flush stainless steel screws. Plate mounts to J-Box. Optional pendant mounting is available.

**Ballast/Lamp Assembly:** HID ballast shall be high power factor and suitable for -20° F operation. CFL ballast are electronic uni-volt and operate a 26, 32 or 42 watt 4-pin lamp. HID sockets are porcelain, medium base and pulse-rated. CFL sockets are thermoplastic.

**Finish:** Polyester powder coating on all metal parts. Color to be specified.

**Listing:** Luminaire is ETL listed for wet locations.



## Specification Guide

Series	Wattage/Lamp	Volts	Options	Finish
VK-10	26-42w/CFL = 42P	120	IF = Single Fuse	BZ = Bronze
	70w/HPS = 07S	208	2F = Double Fuse	BK = Black
	100w/HPS = 10S	240	PH = Button Cell	WH = White
	150w/HPS = 15S	277	PDM = Pendant Mount	SL = Silver
	70w/MH = 07H	480	Specify Length	CC = Custom Color
	100w/MH = 10H	UV	FG = Frosted Glass	
	150w/MH = 15H		PG = Prismatic Glass	

**Example:** 100 Watt, Metal Halide, 120 Volts, Single Fuse, Bronze  
**VK-1010H-120/IF/BZ**