

Design Features

Housing: The heavy duty spun aluminum shroud and upper thorax is produced as one unit. The thorax is the compartment for installing the ballast and mounting the enclosure assembly. The top of the spun housing is regressed to accept the dome cap and maintain the one-piece appearance.

Dome Cap: The rugged hydroformed aluminum cap with a hemispherical shape rests on the regressed raised edge of the housing. This design prevents water from entering the unit. The dome top is secured with a single stainless steel tamperproof fastener.

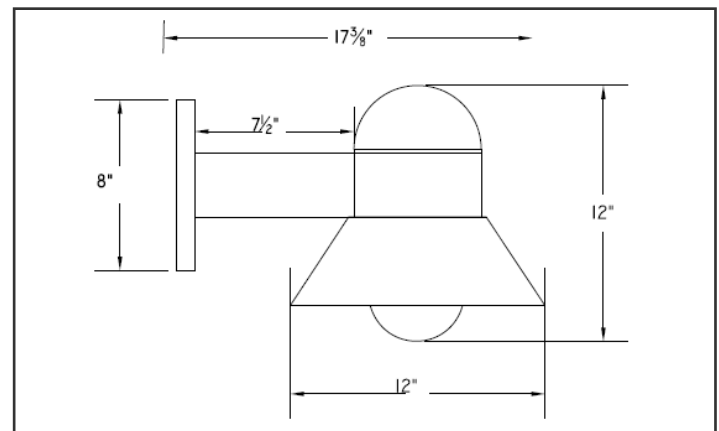
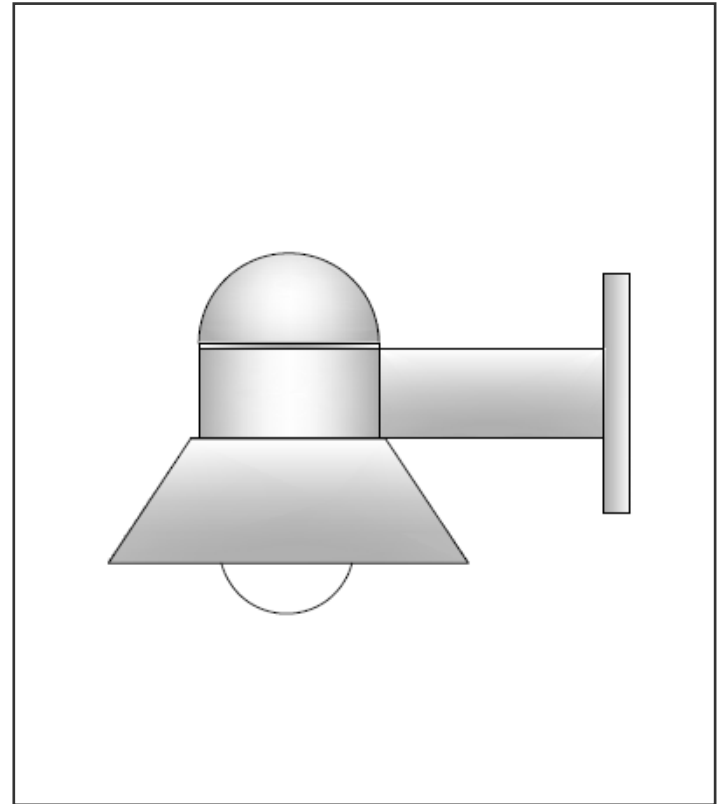
Enclosure: A clear glass enclosure with threaded neck is provided as standard. Optional units can be ordered with inside sandblasted or with vertical prismatic ribs. The enclosure is secured to a threaded cast aluminum fitter which is mounted in the thorax.

Mounting Bracket: Extruded aluminum arm is internally welded to cast back plate. Arm is bolted to housing with two 3/8" bolts. A heavy duty steel zinc plated bracket mounts to the J-Box and wall surface and is attached to the cast plate with two stainless steel fasteners.

Ballast/Lamp Assembly: HID ballast shall have a high power factor. Fluorescent ballast shall be uni-volt electronic and operate a 26, 32 or 42 watt 4-pin lamp. HID and incandescent sockets are porcelain and pulse-rated. CFL sockets are thermoplastic.

Finish: Polyester powder coating on all metal parts. Color to be specified.

Listing: Luminaire is ETL listed for wet locations.



Specification Guide

| Series | Wattage/Lamp | Volts | Options | Finish |
|--------|------------------|-------|----------------------|-------------------|
| VK-I | 100w/INC = 20I | 120 | FG = Frosted Glass | BZ = Bronze |
| | 26-42w/CFL = 42P | 208 | PG = Prismatic Glass | BK = Black |
| | 50w/HPS = 05S | 240 | PH = Button Cell | WH = White |
| | 70w/HPS = 07S | 277 | PDM = Pendant Mount | SL = Silver |
| | 50w/MH = 05H | UV | CG = Cast Guard | CC = Custom Color |
| | 70w/MH = 07H | | QR = Quartz Relay | |

Example: 50 Watt, Metal Halide, 120 Volts, Frosted Glass, Bronze

VK-105H-120/FG/BZ