

## Design Features

**Housing:** The heavy duty spun aluminum shroud is welded to the 8" diameter extruded aluminum thorax and sealed to prevent water entry. The top cap seals ballast compartment and is removable for accessing ballast by three (3) stainless steel fasteners.

**Dome Cap:** The rugged hydroformed aluminum cap with a hemispherical shape rests on the cast aluminum ring welded to the extruded thorax. Cap is gasketed to prevent water or insect entry.

**Door Assembly:** Spun aluminum frame secures clear tempered glass lens. Frame is gasketed and secured to housing with tamper resistant stainless steel fasteners.

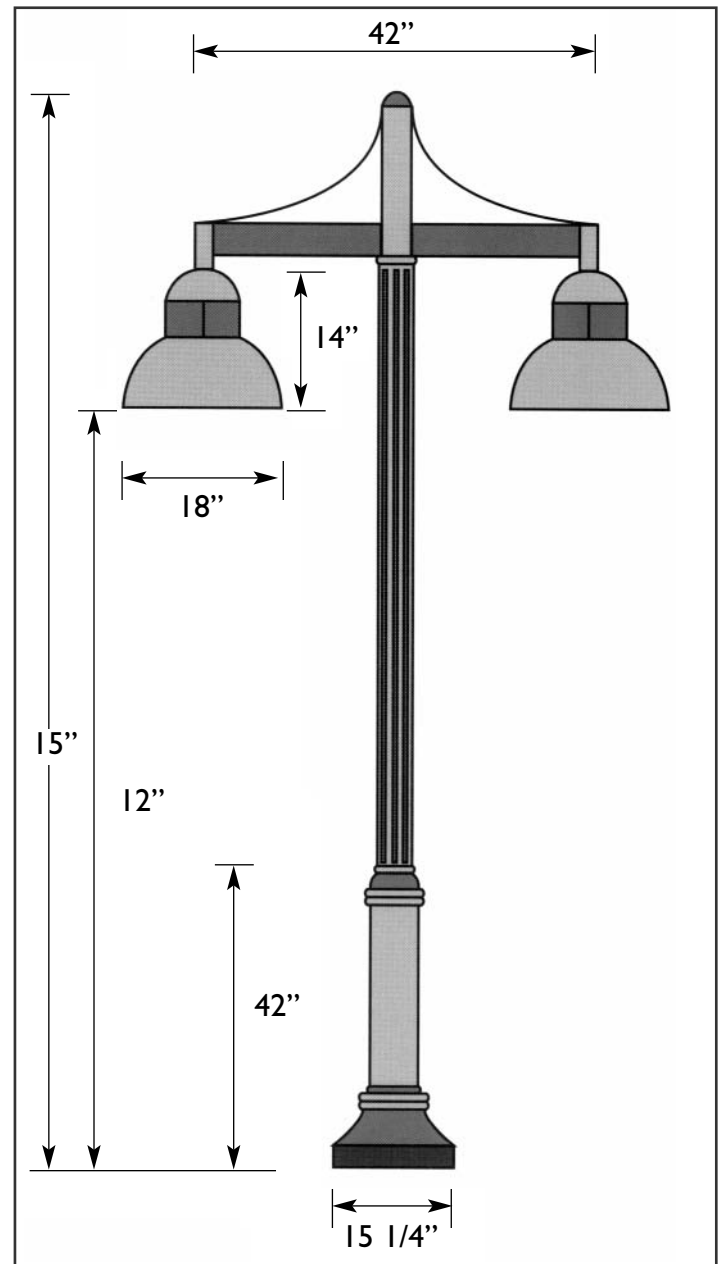
**Optical Assembly:** Hydroformed reflector is secured in housing and provides an IES type III distribution.

**Mounting Bracket:** Extruded aluminum arm assembly with decorative support is welded to luminaire dome cap. Assembly is secured to pole with stainless steel fasteners.

**Ballast/Lamp Assembly:** Ballast are high power factor and suitable for -20° F operation. The ballast is mounted in the thorax and is secured with two (2) screws. Lamp socket shall be porcelain medium base pulse-rated and mounted to reflector.

**Finish:** Polyester powder coating on all metal parts. Color to be specified.

**Listing:** Luminaire is ETL listed for wet locations.



## Specification Guide

Series	Wattage/Lamp	Volts	Options	Finish
VK-11	50w/HPS = 05S	120	1F = Single Fuse	BZ = Bronze
	70w/HPS = 07S	208	2F = Double Fuse	BK = Black
	100w/HPS = 10S	240	PH = Button Cell	WH = White
	150w/HPS = 15S	277	WM = Wall Mount	SL = Silver
	70w/MH = 07H	480	2A = Twin Arm	CC = Custom Color
	100w/MH = 10H		3A = Triple Arm	
	150w/MH = 15H			

**Example:** 100 Watt, Metal Halide, 120 Volts, Single Fuse, Bronze  
**VK-1110H-120/1F/BZ**