

VK 1300 Series



Design Features

Housing: A heavy duty spun aluminum shroud with three cast aluminum disks is provided with dome top cap.

Dome Cap: The rugged hydroformed aluminum cap with a hemispherical shape rests on the top disk. The cap secures to the mounting arm with a stainless steel fastener.

Disk Assembly: Three cast aluminum disks are secured in position with three aluminum spacers and internal tie rods.

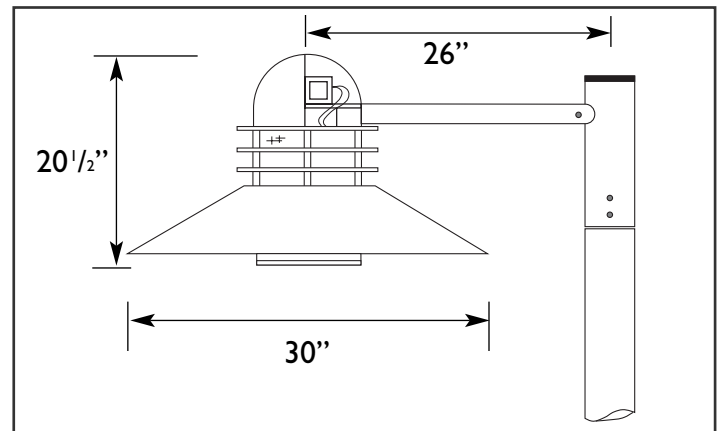
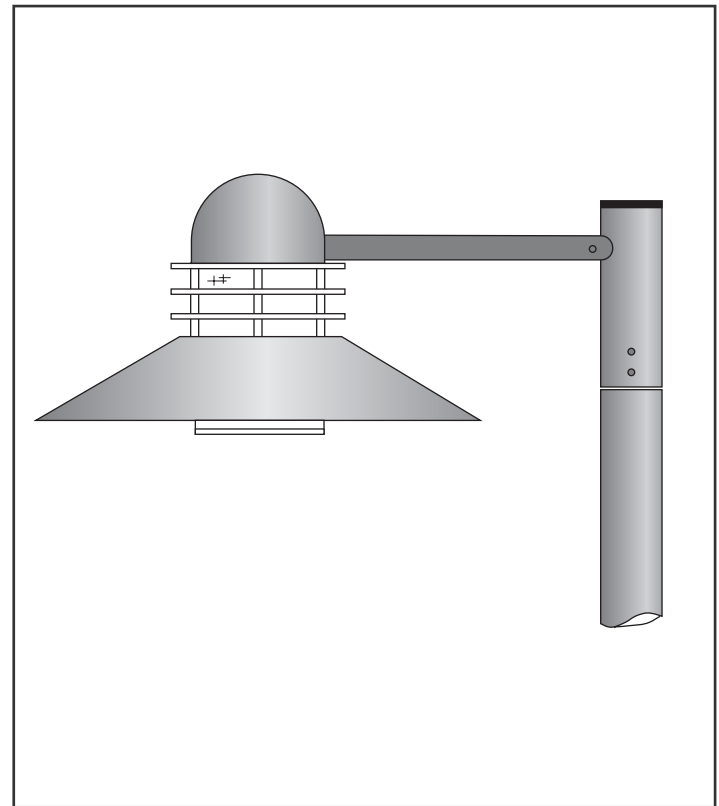
Enclosure: A clear cast acrylic lens is mounted to the top disk. A glare shield rest on bottom of lens.

Mounting Bracket: A 2" diameter aluminum arm is welded to pole slipfitter. Arm slips inside cast frame on top disk and is secured with stainless steel fasteners.

Ballast/Lamp Assembly: All ballast shall be high power factor and suitable for -20° F operation. The ballast is mounted in the dome and is secured with two screws. Lamp sockets shall be porcelain medium base pulse-rated and mounted to cast aluminum fitter.

Finish: Polyester powder coating on all metal parts. Color to be specified.

Listing: Luminaire is ETL listed for wet locations.



Specification Guide

Series	Wattage/Lamp	Volts	Options	Finish
VK-13	70w/HPS = 07S	120	1F = Single Fuse	BZ = Bronze
	100w/HPS = 10S	208	2F = Double Fuse	BK = Black
	150w/HPS = 15S	240	WM = Wall Mount	WH = White
	70w/MH = 07H	277	2A = Twin Arm	SL = Silver
	100w/MH = 10H	480	3A = Triple Arm	CC = Custom Color
	150w/MH = 15H		PDM = Pendant Mount	

Example: 100 Watt, Metal Halide, 120 Volts, Single Fuse, Bronze
VK-1310H-120/1F/BZ