

VK 1400 Series



Design Features

Housing: A heavy duty aluminum shroud with upper accent window is attached to the dome with three stainless steel tie-rods.

Dome Cap: The rugged hydroformed aluminum dome houses ballast assembly and is secured to the arm with a stainless steel hardware.

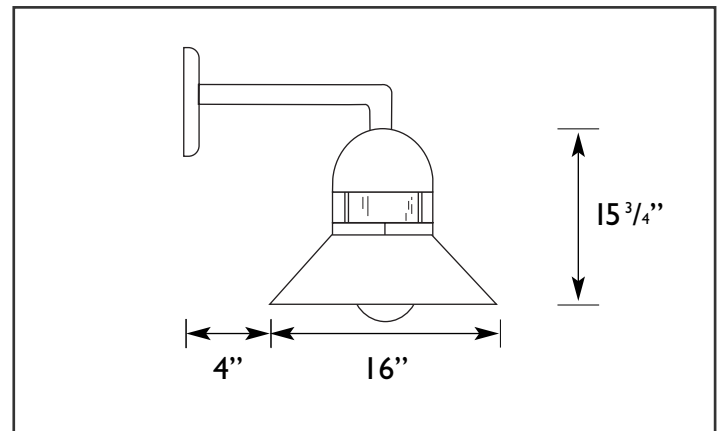
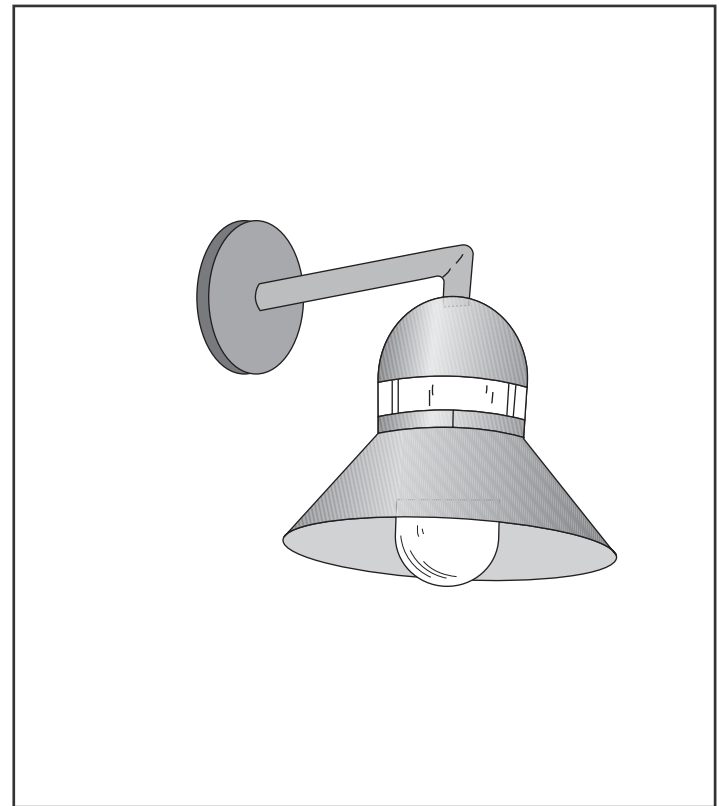
Enclosure: Opal frosted glass lens is threaded into a cast fitter which is welded to the shroud.

Decorative Arm: Extruded aluminum arm is welded to the cast cover plate which bolts to a zinc plated mounting plate with three stainless steel fasteners.

Ballast/Lamp Assembly: HID ballast shall be high power factor and suitable for -20° F operation. CFL ballast are electronic uni-volt and operate a 26, 32 or 42 watt 4-pin lamp. HID sockets are porcelain, medium base and pulse-rated. CFL sockets are thermoplastic.

Finish: Polyester powder coating on all metal parts. Color to be specified.

Listing: Luminaire is ETL listed for wet locations.



Specification Guide

Series	Wattage/Lamp	Volts	Options	Finish
VK-14	26-42w/CFL = 42P	120	1F = Single Fuse	BZ = Bronze
	70w/MH = 07H	208	2F = Double Fuse	BK = Black
	100w/MH = 10H	240	PDM = Pendant Mount	WH = White
	150w/MH = 15H	277	PG = Prismatic Glass	SL = Silver
	70w/HPS = 07S	480	CLG = Clear Glass	CC = Custom Color
	100w/HPS = 10S	UV	CG = Cast Guard	
	150w/HPS = 15S			

Example: 100 Watt, Metal Halide, 120 Volts, Single Fuse, Bronze
VK-1410H-120/1F/BZ