

## Design Features

**Housing:** A heavy duty aluminum disk is attached to the dome and perforated metal shield with three stainless steel rods and decorative acorn nuts.

**Dome Cap:** The rugged hydroformed aluminum dome houses ballast assembly. Dome is threaded for pendant attachment.

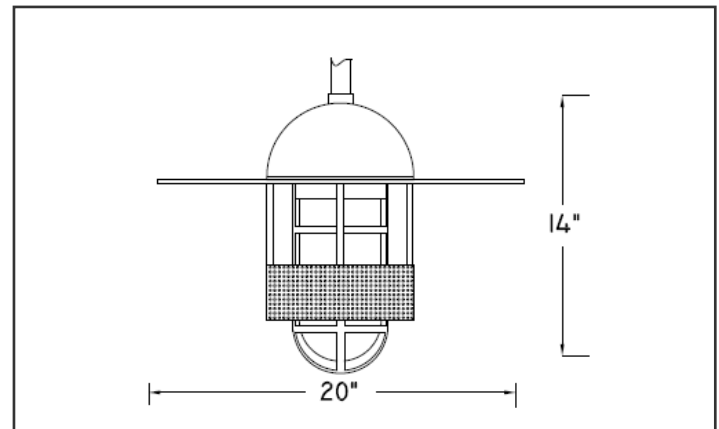
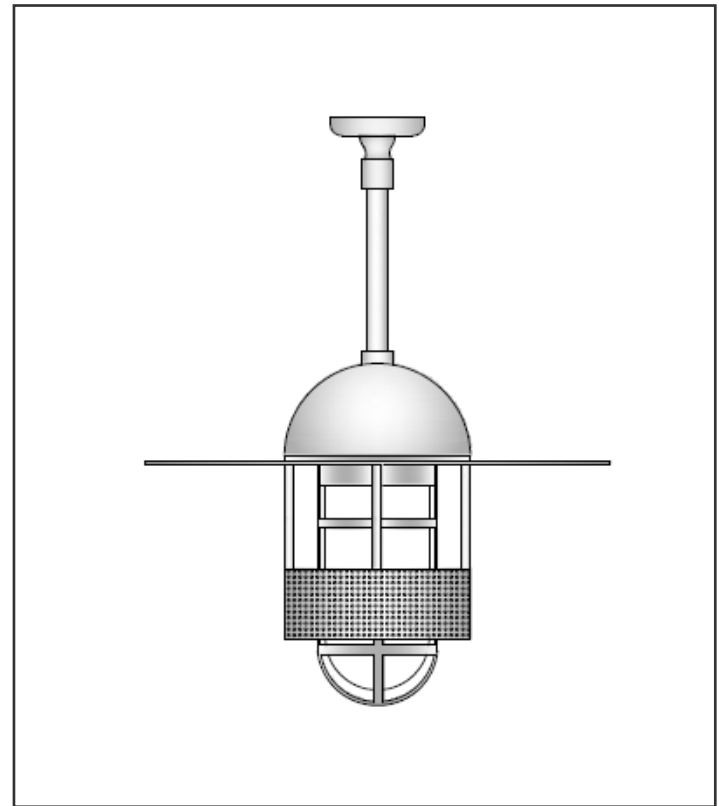
**Enclosure:** Prismatic tempered glass lens threads into cast aluminum adapter which is mounted to the shroud and provided with a cast aluminum guard.

**Pendant Assembly:** Extruded aluminum pendant is threaded for secure fit to dome cap. Pendant is provided with swivel canopy and universal mounting bracket for bolting to J-Box. Pendant length must be specified when ordering.

**Ballast/Lamp Assembly:** HID ballast shall be high power factor and suitable for -20°F operation. CFL ballast are electronic uni-volt and operate a 26, 32 or 42 watt 4-pin lamp. HID sockets shall be porcelain, medium base and pulse-rated. CFL sockets are thermoplastic.

**Finish:** Polyester powder coating on all metal parts. Color to be specified.

**Listing:** Luminaire is ETL listed for wet locations.



## Specification Guide

| Series | Wattage/Lamp     | Volts | Options            | Finish            |
|--------|------------------|-------|--------------------|-------------------|
| VK-16  | 26-42w/CFL = 42P | 120   | 1F = Single Fuse   | BZ = Bronze       |
|        | 70w/MH = 07H     | 208   | 2F = Double Fuse   | BK = Black        |
|        | 100w/MH = 10H    | 240   | WM = Wall Mount    | WH = White        |
|        | 150w/MH = 15H    | 277   | PM = Pole Mount    | SL = Silver       |
|        | 70w/HPS = 07S    | 480   | FG = Frosted Glass | CC = Custom Color |
|        | 100w/HPS = 10S   | UV    | CLG = Clear Glass  |                   |
|        | 150w/HPS = 15S   |       |                    |                   |

**Example:** 100 Watt, Metal Halide, 120 Volts, Single Fuse, Bronze  
**VK-1610H-120/1F/BZ**