

Design Features

Housing: A heavy duty aluminum shroud is welded to the extruded aluminum thorax and sealed to prevent water entry. The top cap seals ballast compartment and it is secured with two stainless steel screws.

Dome Cap: The rugged hydroformed aluminum dome houses ballast assembly.

Enclosure: Clear tempered glass lens is gasketed and attached to the spun aluminum door with four fasteners.

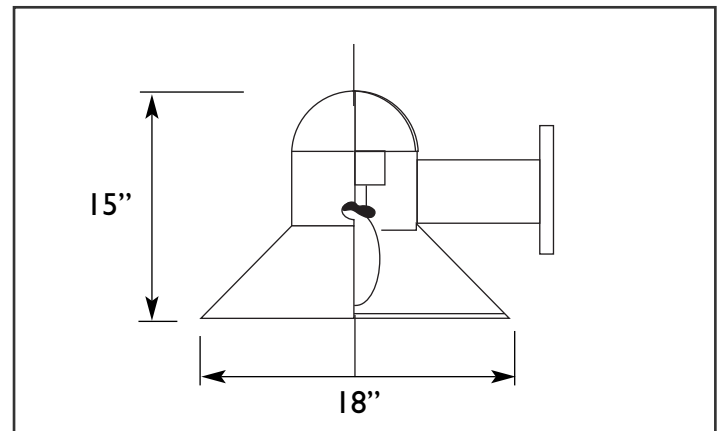
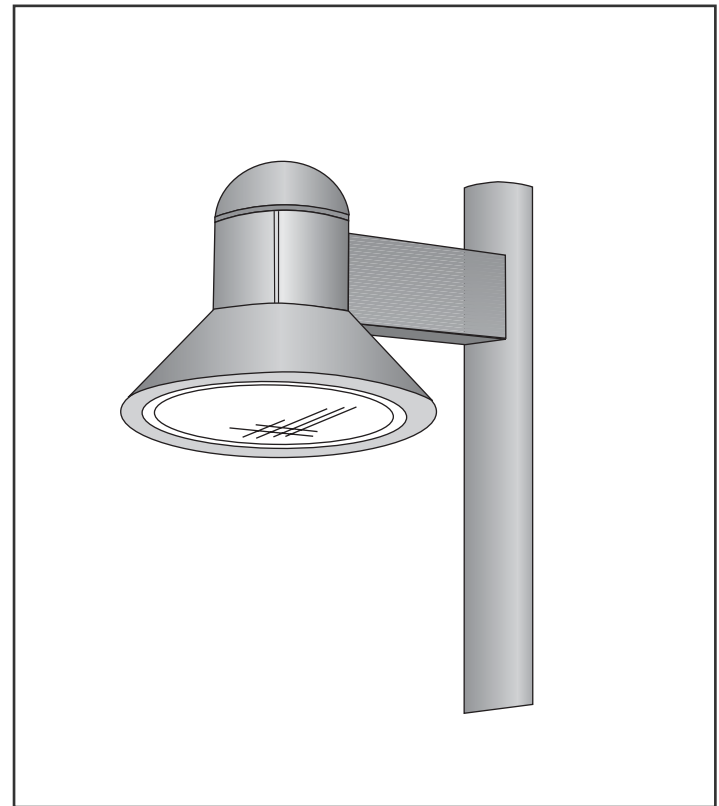
Optical Assembly: Specular fabricated reflector is available in a symmetrical or asymmetrical Type I, II or III distributions.

Mounting Bracket: Extruded aluminum arm is internally welded to cast back plate. Arm is bolted to housing with two 3/8" bolts. A heavy duty steel zinc plated bracket mounts to the J-Box and wall surface and is attached to the inside of cast plate with two stainless steel fasteners. Direct mount to pole is optional. "PM"

Ballast/Lamp Assembly: HID ballast shall be high power factor and suitable for -20° F operation. CFL ballast are electronic uni-volt and operate a 26,32 or 42 watt 4-pin lamp. HID sockets shall be porcelain, pulse-rated and medium base. CFL sockets are thermoplastic.

Finish: Polyester powder coating on all metal parts. Color to be specified.

Listing: Luminaire is ETL listed for wet locations.



Specification Guide

Series	Wattage/Lamp	Volts	Options	Finish
VK-17	26-42w/CFL = 42P	120	1F = Single Fuse	BZ = Bronze
	70w/MH = 07H	208	2F = Double Fuse	BK = Black
	100w/MH = 10H	240	PM = Pole Mount	WH = White
	150w/MH = 15H	277	SY = Symmetric	SL = Silver
	70w/HPS = 07S	480	AY = Asymmetric	CC = Custom
	100w/HPS = 10S	UV	YM = Yoke Mount Bracket	Color
	150w/HPS = 15S			

Example: 100 Watt, Metal Halide, 120 Volts, Single Fuse, Bronze
VK-1710H-120/1F/BZ