

Design Features

Housing: A heavy duty aluminum shroud with upper accent window is attached to the dome with three stainless steel tie-rods.

Dome Cap: The rugged hydroformed aluminum dome houses ballast assembly and is secured to the arm with a single through bolt.

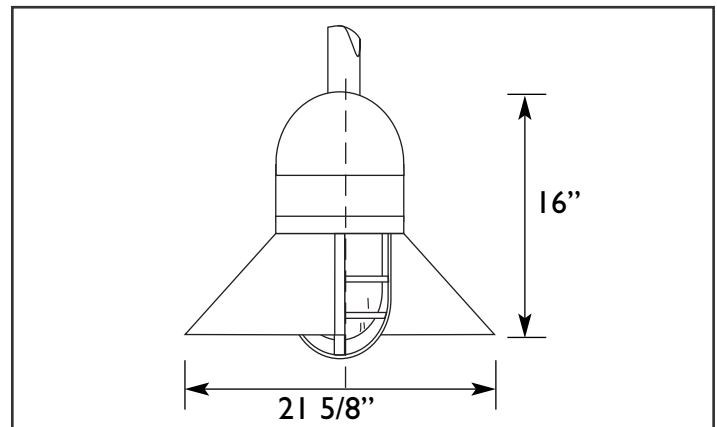
Enclosure: Prismatic tempered glass lens is threaded into a cast fitter. Cast aluminum guard is secured with two set screws.

Mounting Bracket: A 2" diameter aluminum arm with 12" radius bend is welded to pole slipfitter. Arm slips over the tenon on cap and is secured with 3 stainless steel fasteners. For wall mounting, a heavy duty steel zinc plated bracket mounts to the J-Box and wall surface and is attached to the cast plate with two stainless steel fasteners.

Ballast/Lamp Assembly: HID ballast shall be high power factor and suitable for -20° operation. CFL ballast are electronic uni-volt and operate a 26, 32 or 42 watt 4-pin lamp. HID sockets shall be porcelain, pulse-rated and medium base. CFL sockets are thermoplastic.

Finish: Polyester powder coating on all metal parts. Color to be specified.

Listing: Luminaire is ETL listed for wet locations.



Specification Guide

Series	Wattage/Lamp	Volts	Options	Finish
VK-18	26-42w/CFL = 42P	120	1F = Single Fuse	BZ = Bronze
	70w/MH = 07H	208	2F = Double Fuse	BK = Black
	100w/MH = 10H	240	WM = Wall Mount	WH = White
	150w/MH = 15H	277	FG = Frosted Glass	SL = Silver
	70w/HPS = 07S	480	CLG = Clear Glass	CC = Custom Color
	100w/HPS = 10S	UV	PDM = Pendant Mount	
	150w/HPS = 15S			

Example: 100 Watt, Metal Halide, 120 Volts, Single Fuse, Bronze
VK-1810H-120/1F/BZ