

Design Features

Housing: A heavy duty aluminum disk assembly is attached to the dome and glare shield with three stainless steel rods and decorative acorn nuts.

Dome Cap: The rugged hydroformed aluminum cap with a hemispherical shape rests on the top disk. Cap is threaded to accept the pendant and sealed to prevent water entry when used outdoors.

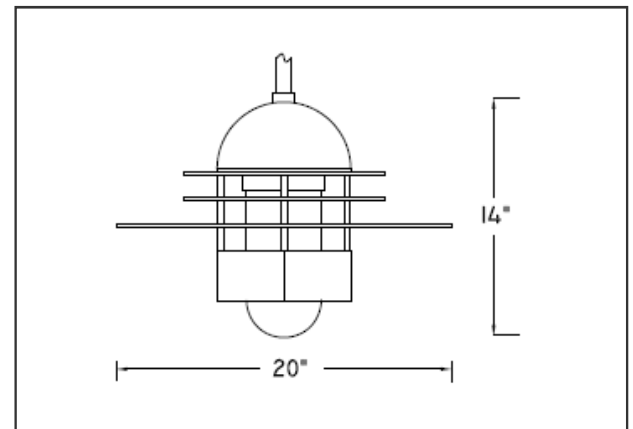
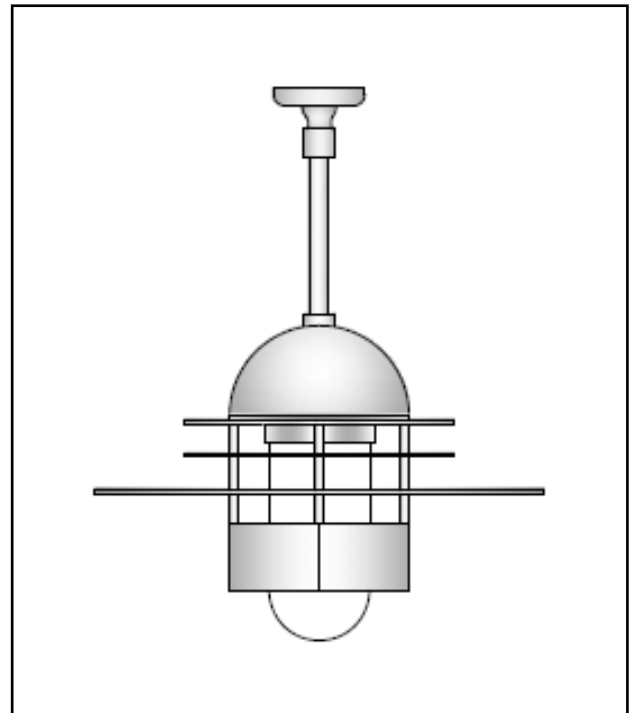
Enclosure: A clear glass enclosure with threaded neck is provided as standard. Optional units can be ordered with inside sandblasted or with vertical prismatic ribs. The enclosure is secured to a threaded cast aluminum fitter which is mounted in the dome.

Pendant Assembly: Extruded aluminum pendant is threaded for secure fit to dome cap. Pendant is provided with swivel canopy and universal mounting bracket for bolting to J-Box. Pendant length must be specified when ordering.

Ballast/Lamp Assembly: HID ballast shall be high power factor and suitable for -20°F operation. CFL ballast are electronic uni-volt and operate a 26, 32 or 42 watt 4-pin lamp. HID sockets shall be porcelain, medium base and pulse-rated. CFL sockets are thermoplastic.

Finish: Polyester powder coating on all metal parts. Color to be specified.

Listing: Luminaire is ETL listed for wet locations.



Specification Guide

Series	Wattage/Lamp	Volts	Options	Finish
VK-19	26-42w/CFL = 42P	120	1F = Single Fuse	BZ = Bronze
	70w/MH = 07H	208	2F = Double Fuse	BK = Black
	100w/MH = 10H	240	FG = Frosted Glass	WH = White
	150w/MH = 15H	277	PG = Prismatic Glass	SL = Silver
	70w/HPS = 07S	480	WM = Wall Mount	CC = Custom Color
	100w/HPS = 10S	UV	PM = Pole Mount	
	150w/HPS = 15S		CG = Cast Guard	

Example: 100 Watt, Metal Halide, 120 Volts, Single Fuse, Bronze
VK-1910H-120/1F/BZ