

VK 2100 Series



Design Features

Housing: A heavy duty aluminum shroud is welded to the 8" casting and sealed to prevent water entry. The top cap covers ballast compartment and secured with three stainless steel flat head screws.

Dome Cap: The rugged hydroformed aluminum dome houses ballast assembly and is secured to the arm with stainless steel hardware.

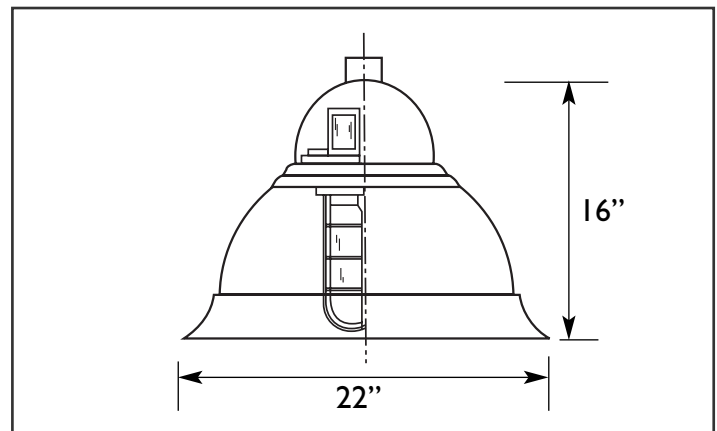
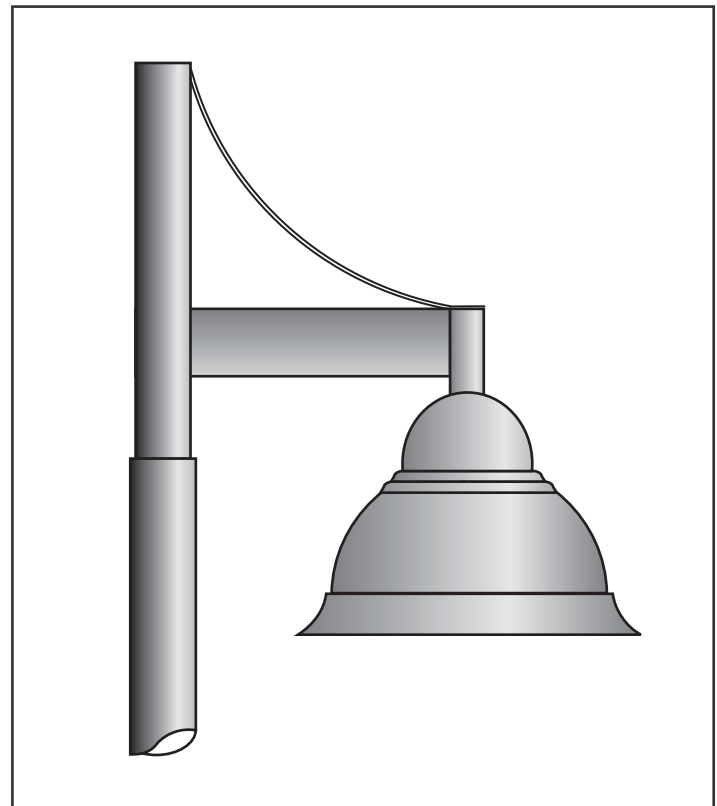
Enclosure: Prismatic tempered glass lens threads into a cast aluminum adapter which is mounted to the shroud. Aluminum guard covers the lens assembly and attaches to the threaded neck.

Decorative Arm: Extruded aluminum arm with decorative band is welded to form a one piece bracket. The arm is secured to the pole tenon with four stainless steel fasteners.

Ballast/Lamp Assembly: All ballast shall be high power factor and suitable for -20° F operation. The ballast is mounted in the dome and is secured with two screws. Lamp sockets shall be porcelain medium base pulse-rated.

Finish: Polyester powder coating on all metal parts. Color to be specified.

Listing: Luminaire is ETL listed for wet locations.



Specification Guide

Series	Wattage/Lamp	Volts	Options	Finish
VK-21	70w/MH = 07H	120	1F = Single Fuse	BZ = Bronze
	100w/MH = 10H	208	2F = Double Fuse	BK = Black
	150w/MH = 15H	240	WM = Wall Mount	WH = White
	70w/HPS = 07S	277	2A = Twin Mount	SL = Silver
	100w/HPS = 10S	480	AL = Accent Lens	CC = Custom Color
	150w/HPS = 15S		FG = Frosted Glass	
			CLG = Clear Glass	

Example: 100 Watt, Metal Halide, 120 Volts, Single Fuse, Bronze
VK-21 10H-120/1F/BZ