

VK 2600 Series



Design Features

Housing: A heavy duty spun aluminum shroud has a solid center section with vertical slots. Housing is secured to dome with three internal stainless steel rods.

Dome Cap: The hydroformed aluminum dome is secured to housing and arm with stainless steel fasteners.

Lens Assembly: Clear tempered glass lens is gasketed and secured to aluminum frame with four fasteners. Frame is hinged and secured to the housing with four stainless steel screws.

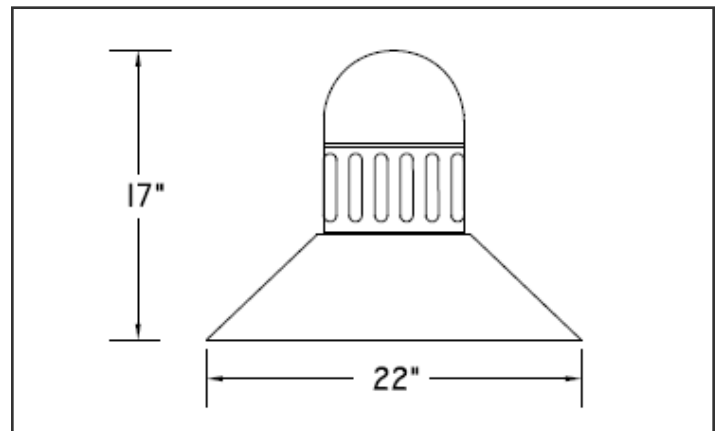
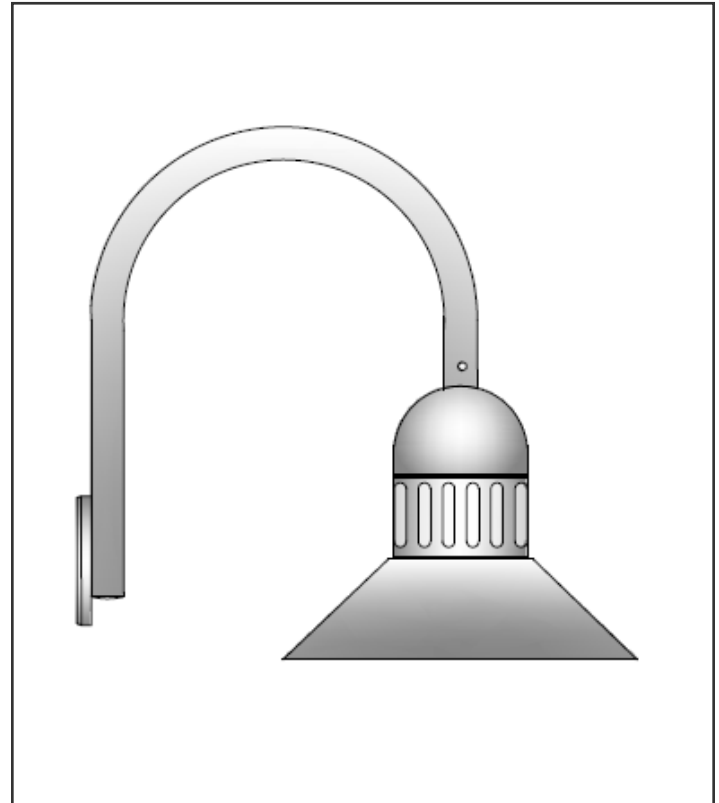
Optical Assembly: Specular segmented or hydroformed reflector is available in Type 3, 4 and 5 distributions.

Mounting Bracket: A 2" diameter extruded aluminum arm with 12" radius bend is welded to cast back plate. Arm slips over the tenon on cap and is secured with 3 stainless steel fasteners. A heavy duty steel zinc plated bracket mounts to the J-Box and wall surface and is attached to the inside of cast plate with two stainless steel fasteners. Direct mount to pole is optional. "PM"

Ballast/Lamp Assembly: All ballast shall be high power factor and suitable for -20° operation. The ballast is mounted in the dome and is secured with two screws. Lamp socket shall be porcelain and pulse-rated as required.

Finish: Polyester powder coating on all metal parts. Color to be specified.

Listing: Luminaire is ETL listed for wet locations.



Specification Guide

Series	Wattage/Lamp	Volts	Options	Finish
VK-26	70w/HPS = 07S	120	1F = Single Fuse	BZ = Bronze
	100w/HPS = 10S	208	2F = Double Fuse	BK = Black
	150w/HPS = 15S	240	PM = Pole Mount	WH = White
	70w/MH = 07H	277	R3 = Type 3	SL = Silver
	100w/MH = 10H	480	R4 = Type 4	CC = Custom Color
	150w/MH = 15H		R5 = Type 5	
	250w/MH = 25H		PDM = Pendant Mount	

Example: 100 Watt, Metal Halide, 120 Volts, Single Fuse, Bronze
VK-2610H-120/1F/BZ