

Design Features

Housing: Heavy gauge spun aluminum shroud is attached to the cast ballast compartment with three bolts. Dome top cap is secured with three stainless steel fasteners.

Lens Assembly: Tempered clear glass lens is sealed in the spun aluminum frame. The frame is gasketed and secured to the housing with three stainless steel fasteners and two aircraft cables.

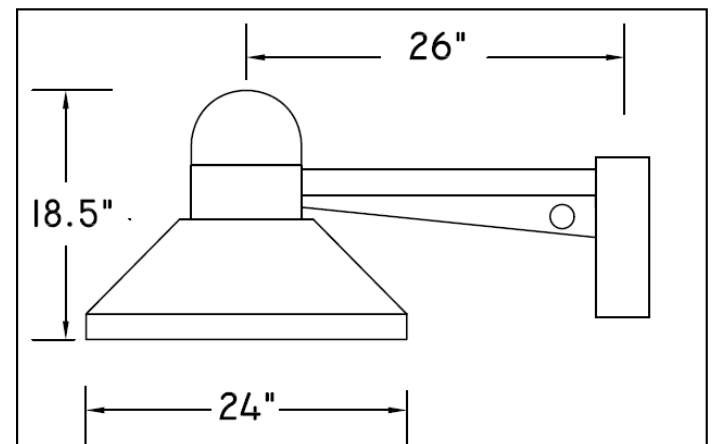
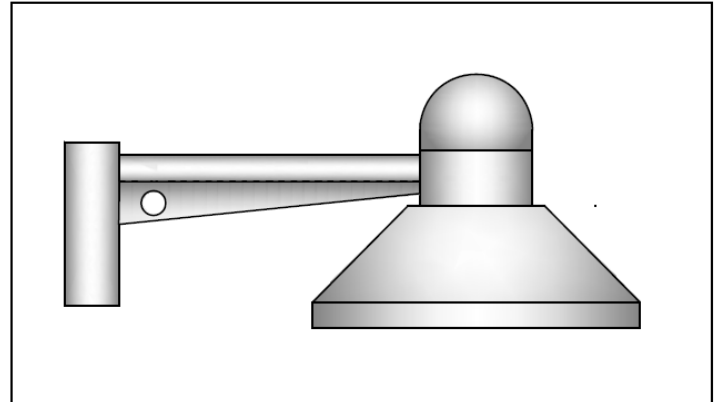
Reflector: Segmented reflector produces a Type 4 distribution. A hydroformed reflector is supplied for Type 2 and 3 distributions.

Bracket Assembly: Extruded aluminum arm with decorative support plate is welded to the slipfitter and is secured to luminaire tenon with two stainless steel bolts. Bracket is secured to the pole tenon with six stainless steel set screws.

Ballast/Lamp Assembly: All ballast shall have a high power factor and be suitable for -20° F operation. The ballast module is secured inside the dome cap and supplied with quick disconnects. Sockets shall be porcelain, mogul base and pulse-rated.

Finish: Polyester powder coating on all metal parts. Color to be specified.

Listing: Luminaire is ETL listed for wet locations, UL 1598 and Canadian CSA Std. C22.2 No 250.0.



Specification Guide

Series	Wattage/Lamp	Volts	Options	Finish
VK-27	150w/MH = 15H	120	1F = Single Fuse	BZ = Bronze
	250w/MH = 25H	208	2F = Double Fuse	BK = Black
	400w/MH = 40H	240	PH = Button Cell	WH = White
	150w/HPS = 15S	277	2A = Twin @ 180	SL = Silver
	250w/HPS = 25S	480	R2 = Type 2 Distribution	CC = Custom Color
	400w/HPS = 40S		R3 = Type 3 Distribution	
			R4 = Type 4 Distribution	

Example: 400 Watt, Metal Halide, 120 Volts, Type 3 Distribution, Single Fuse, Black
VK2740H-120/R3/1F/BK