

## Design Features

**Shroud:** Heavy duty spun aluminum shroud is secured to the ballast compartment bracket assembly with internal fasteners. Cast top plate is easily removed to access lamp.

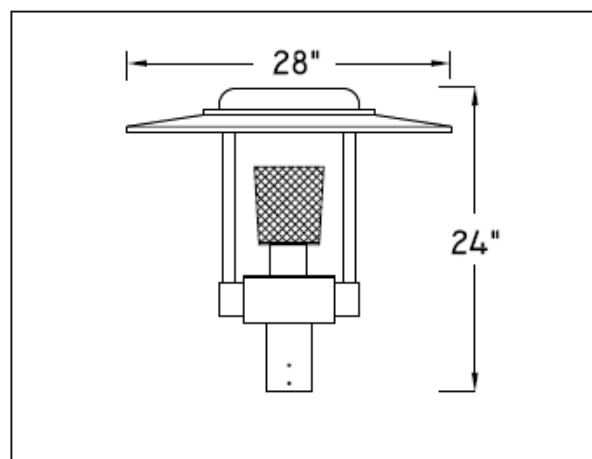
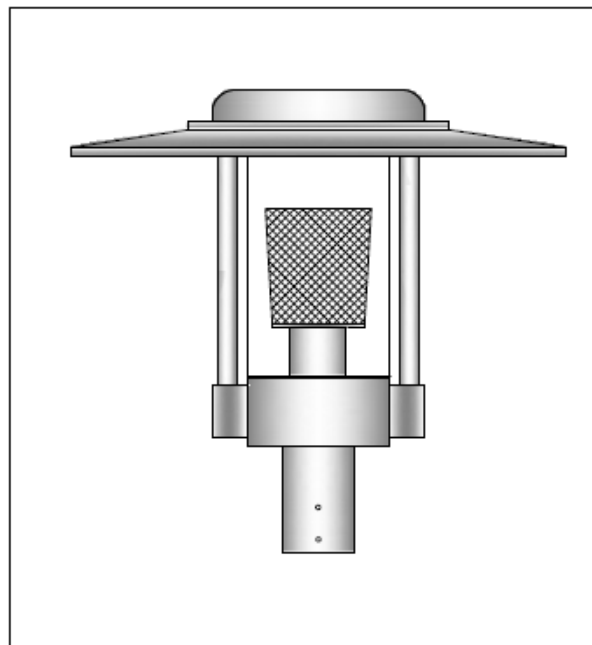
**Enclosure:** Clear acrylic lens is sealed at top and bottom to prevent insect and water entry. Internal glass refractor produces a smooth type 5 distribution. Optional with type 3 refractor "RF3".

**Mounting:** Standard post top mounting bracket slips over a 3.5" diameter tenon and is secured with (6) stainless steel set screws. Wall mount bracket is fabricated from 2" x 2" extruded aluminum tubes that are welded to mounting plate and 3.5" round pipe which slides inside the fixture and is secured with set screws.

**Ballast/Socket:** HID ballast are high power factor and are suitable for -20°F operation. CFL ballast are electronic with universal voltage and operate one 26, 32 or 42 watt 4-pin lamp. HID sockets are porcelain, pulse-rated and medium base. CFL sockets are thermoplastic.

**Finish:** Polyester powder coating on all metal parts.

**Listing:** Luminaire is ETL listed for wet locations.



## Specification Guide

Series	Wattage/Lamp	Volts	Options	Finish
VK-39	26-42w/CFL = 42P	120	1F = Single Fuse	BZ = Bronze
	70w/HPS = 07S	208	2F = Double Fuse	BK = Black
	100w/HPS = 10S	240	RF3 = Type 3	WH = White
	150w/HPS = 15S	277	WM = Wall Mount	SL = Silver
	70w/MH = 07H	UV		CC = Custom Color
	100w/MH = 10H			
	150w/MH = 15H			

**Example:** 100 Watt, Metal Halide, 120 Volts, Type 3, Bronze  
**VK-3910/H-120/RF3/BZ**