

Design Features

Shroud: A heavy duty spun aluminum shroud with decorative cage is secured to cast ballast housing with four stainless steel fasteners.

Dome Cap: Cast aluminum dome is secured to ballast housing with three stainless steel fasteners.

Lens Assembly: Clear polycarbonate capsule with internal prismatic tempered glass lens threads into cast adaptor and provides a smooth symmetrical distribution.

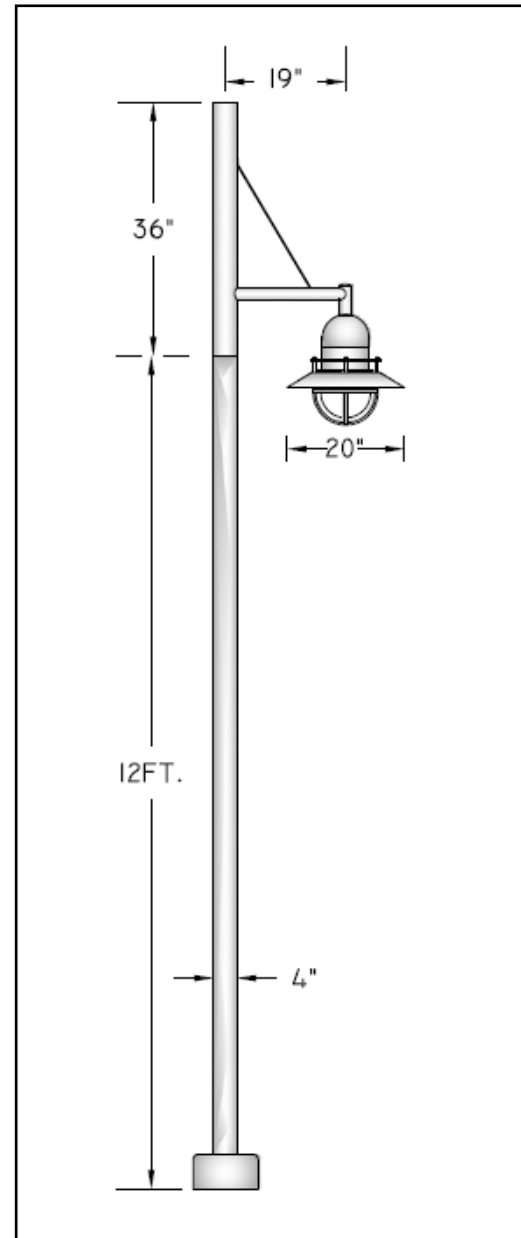
Mounting Bracket: 2" x 4" extruded aluminum arm is welded to 4" diameter slip fitter and secured to pole tenon with stainless steel fasteners. Optional wall "WM" and pendant mount "PDM". Specify length when pendant mount.

Pole: 4" diameter (.226) wall extruded aluminum shaft is welded to cast base plate. Provided with four 3/4" by 15" anchor bolts on a 7" circle. Hand hole with cover is provided 18" above base. Supplied with spun aluminum base cover.

Ballast/Lamp Assembly: All ballast shall be high power factor and suitable for -20° operation. The ballast is mounted in the dome and is secured with two screws. Lamp socket shall be porcelain and pulse-rated as required.

Finish: Polyester powder coating on all metal parts. Color to be specified.

Listing: Luminaire is ETL listed for wet locations.



Specification Guide

Series	Wattage/Lamp	Volts	Options	Finish
VK-41	70w/HPS = 07S	120	IF = Single Fuse	BZ = Bronze
	100w/HPS = 10S	208	2F = Double Fuse	BK = Black
	150w/HPS = 15S	240	PH = Button Photo Cell	WH = White
	70w/MH = 07H	277	ISA = Single Pole Mount	SL = Silver
	100w/MH = 10H	UV	2SA = Twin Pole Mount	CC = Custom Color
	150w/MH = 15H		PDM = Pendant Mount	
			WM = Wall Mount	

Example: 100 Watt, Metal Halide, 120 Volts, Single Fuse, Bronze
VK-4110H-120/IF/BZ