

Design Features

Housing: A heavy duty spun aluminum shroud with decorative cage is secured to cast ballast housing with four stainless steel fasteners.

Lens Assembly: Clear polycarbonate capsule with type 5 glass refractor provides a smooth distribution. Lens is gasketed and secured to housing with three stainless steel fasteners. Spun aluminum dome reduces the up light.

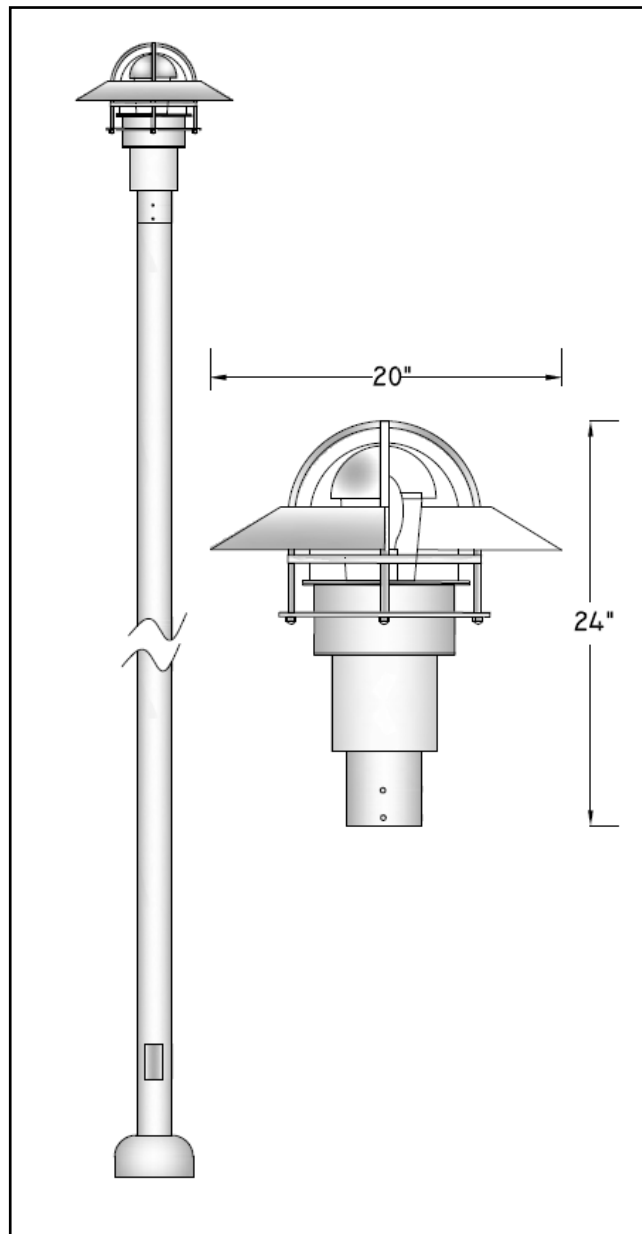
Ballast Housing: Cast aluminum housing slips over a 3.5" diameter pole tenon and secured with six stainless steel flush set screws. Ballast module is accessed by removing reflector/cage assembly.

Pole: 4" diameter (.226) wall extruded aluminum shaft is welded to cast base plate. Provided with four 3/4" by 15" anchor bolts on a 7" circle. Hand hole with cover is provided 18" above base. Provided with one piece spun aluminum bolt cover

Ballast/Lamp Assembly: All ballast are high power factor and suitable for -20° operation. The ballast is mounted on a module and secured in cast housing. Lamp socket shall be porcelain, pulse-rated and medium base.

Finish: Polyester powder coating on all metal parts. Color to be specified.

Listing: Luminaire is ETL listed for wet locations.



Specification Guide

Series	Wattage/Lamp	Volts	Options	Finish
VK-42	70w/HPS = 07S	120	1F = Single Fuse	BZ = Bronze
	100w/HPS = 10S	208	2F = Double Fuse	BK = Black
	150w/HPS = 15S	240	PH = Button Photo Cell	WH = White
	70w/MH = 07H	277	2A = Twin Pole Mount	SL = Silver
	100w/MH = 10H	UV	WM = Wall Mount	CC = Custom Color
	150w/MH = 15H			

Example: 100 Watt, Metal Halide, 120 Volts, Single Fuse, Bronze
VK-4210H-120/1F/BZ