

Design Features

Housing: Heavy gauge spun aluminum shroud is secured to the cast dome top with three stainless steel fasteners. The tenon on the dome slips inside the arm bracket and is secured with stainless steel fasteners.

Lens/Cage: Clear polycarbonate lens is gasketed and secured to housing with three stainless steel acorn nuts. Aluminum cage is attached to the housing with four stainless steel fasteners.

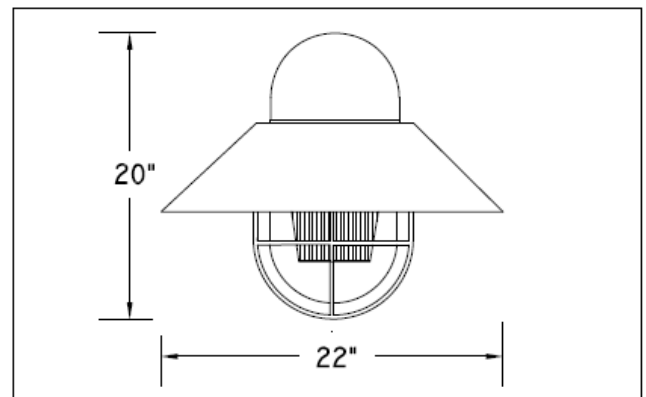
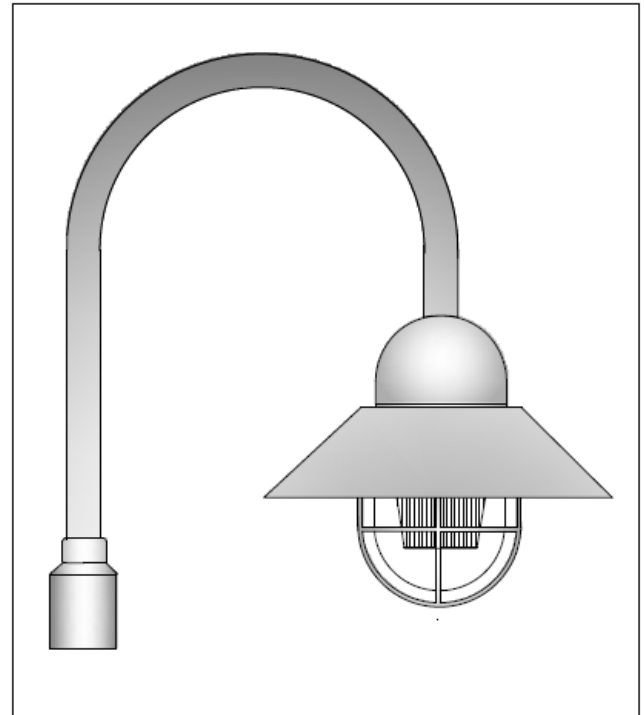
Reflector: Prismatic glass reflector is standard in Type 5 distribution. Optional with Type 3 "RF3".

Bracket Assembly: Extruded aluminum arm with 12" radius bend slips over a 3.5" diameter pole tenon and is secured with six stainless steel fasteners.

Ballast/Lamp Assembly: All ballast shall have a high power factor and be suitable for -20° F operation. The ballast module is secured inside the dome cap and supplied with quick disconnects. Sockets shall be porcelain, mogul base and pulse-rated.

Finish: Polyester powder coating on all metal parts. Color to be specified.

Listing: Luminaire is ETL listed for wet locations, UL 1598 and Canadian CSA Std. C22.2 No. 250.0.



Specification Guide

Series	Wattage/Lamp	Volts	Options	Finish
VK-50	150w/MH = 15H	120	1F = Single Fuse	BZ = Bronze
	250w/MH = 25H	208	2F = Double Fuse	BK = Black
	150w/HP = 15S	240	PH = Button Cell	WH = White
	250w/HPS = 25S	277	2A = Twin @ 180	SL = Silver
		480	RF3 = Type 3 Distribution	CC = Custom Color

Example 150 Watt, Metal Halide, 120 Volts, Type 3 Distribution, Single Fuse, Black
VK-5015H-120/R3/1F/BZ