

Design Features

Housing: The heavy duty spun aluminum shroud is welded to the 8" diameter extruded aluminum thorax and sealed to prevent water entry. The top cap seals ballast compartment and is removable for accessing ballast by two stainless steel fasteners.

Dome Cap: The rugged hydroformed aluminum cap with a hemispherical shape rests on the cast aluminum ring welded to the extruded thorax. Cap is gasketed to prevent water or insect entry.

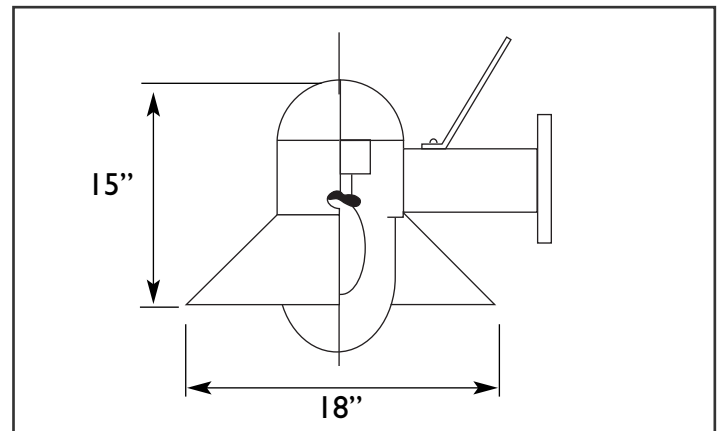
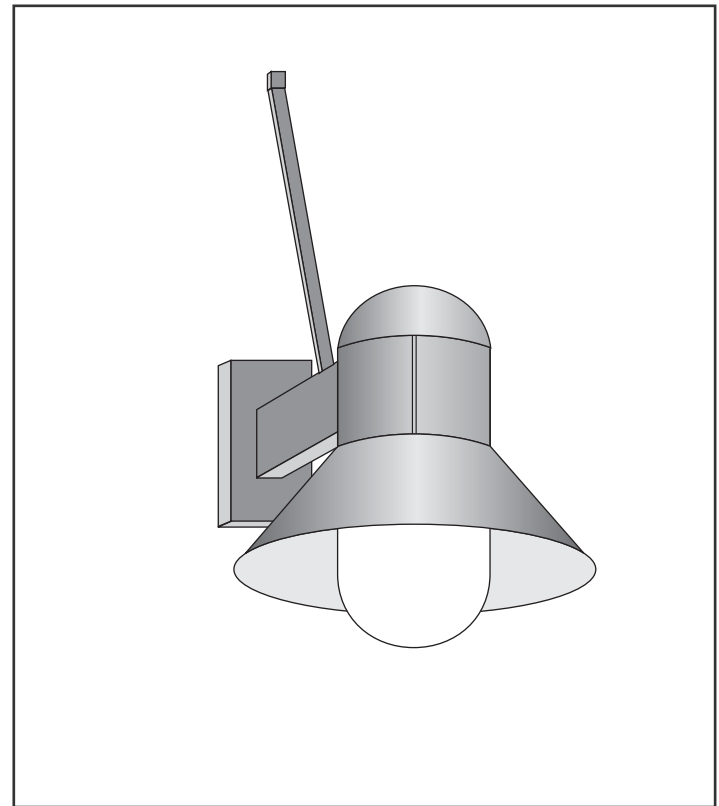
Enclosure: An 8" diameter seamless white polycarbonate enclosure is gasketed and secured to a cast ring in shroud with two thumb screws.

Mounting Bracket: Extruded aluminum arm with decorative support is welded to back plate. Arm is bolted to housing with two 3/8" bolts. A heavy duty steel zinc plated bracket mounts to the J-Box and wall surface and is attached to the cast plate with two stainless steel fasteners. Direct mount to pole is optional. "PM"

Ballast/Lamp Assembly: HID ballast shall be high power factor and suitable for -20° F operation. CFL ballast are electronic uni-volt and operate a 26, 32 or 42w 4-pin lamp. Ballast module is mounted in the thorax and secured with two screws. HID sockets are porcelain, medium base and pulse-rated. CFL sockets are thermoplastic.

Finish: Polyester powder coating on all metal parts. Color to be specified.

Listing: Luminaire is ETL listed for wet locations.



Specification Guide

Series	Wattage/Lamp	Volts	Options	Finish
VK-6	26-42W/CFL = 42P	120	1F = Single Fuse	BZ = Bronze
	70w/HPS = 07S	208	2F = Double Fuse	BK = Black
	100w/HPS = 10S	240	PH = Button Cell	WH = White
	150w/HPS = 15S	277	PM = Pole Mount	SL = Silver
	70w/MH = 07H	480		CC = Custom Color
	100w/MH = 10H 150w/MH = 15H	UV		

Example: 100 Watt, Metal Halide, 120 Volts, Single Fuse, Bronze
VK-610H-120/1F/BZ