

Design Features

Housing: The heavy duty spun aluminum shroud is welded to a cast aluminum ring. Three 1/4" blue acrylic disks with luminous edges are machined to securely fit between each ring. Three rods bolt the cast rings and accent disks to the shroud and are capped with decorative stainless steel acorn nuts.

Dome Cap: The rugged hydroformed aluminum cap with a hemispherical shape is secured to the cast aluminum ring with 3 stainless steel fasteners. Dome is gasketed to prevent water or insect entry.

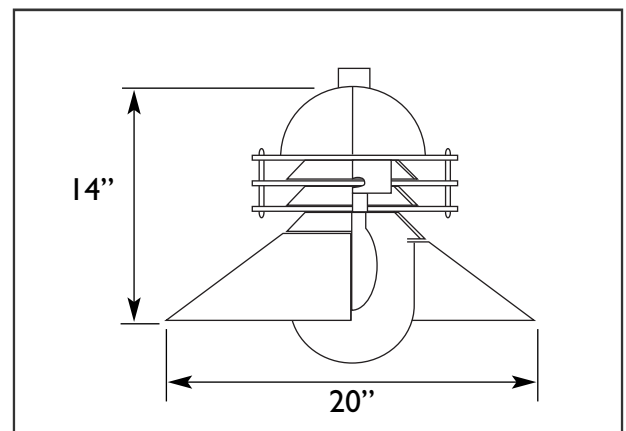
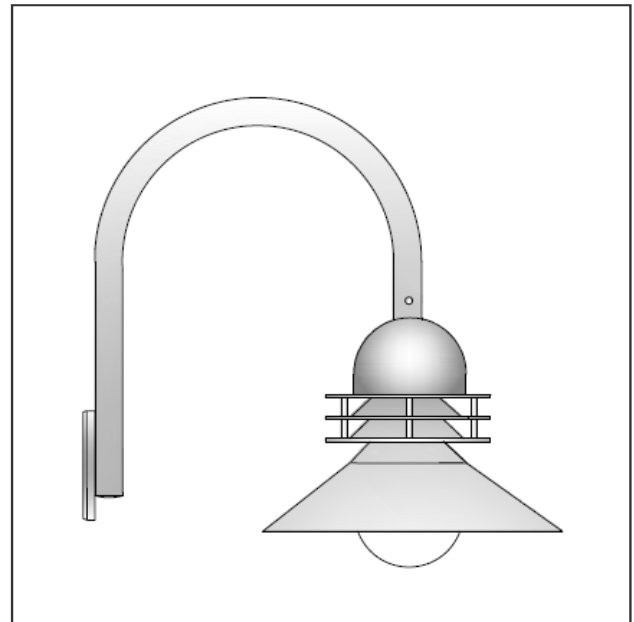
Enclosure: An 8" diameter seamless white polycarbonate enclosure is gasketed and secured to a cast ring welded in shroud with two thumb screws.

Mounting Bracket: A 2" diameter extruded aluminum arm with 12" radius bend is welded to cast back plate. Arm slips over the tenon on cap and is secured with 3 stainless steel fasteners. A heavy duty steel zinc plated bracket mounts to the J-Box and wall surface and is attached to the inside of cast plate with two stainless steel fasteners. Direct mount to pole is optional. "PM"

Ballast/Lamp Assembly: HID ballast shall be high power factor and suitable for -20° F operation. CFL ballast are electronic uni-volt and operate a 26, 32 or 42 watt 4-pin lamp. HID sockets are porcelain, medium base and pulse-rated. CFL are thermoplastic.

Finish: Polyester powder coating on all metal parts. Color to be specified.

Listing: Luminaire is ETL listed for wet locations.



Specification Guide

Series	Wattage/Lamp	Volts	Options	Finish
VK-7	26-42w/CFL = 42P	120	1F = Single Fuse	BZ = Bronze
	70w/HPS = 07S	208	2F = Double Fuse	BK = Black
	100w/HPS = 10S	240	PH = Button Cell	WH = White
	150w/HPS = 15S	277	PM = Pole Mount	SL = Silver
	70w/MH = 07H	480		CC = Custom Color
	100w/MH = 10H	UV		
	150w/MH = 15H			

Example: 100 Watt, Metal Halide, 120 Volts, Single Fuse, Bronze
VK-710H-120/1F/BZ