

Design Features

Housing: The heavy duty hydroformed aluminum dome supports ballast and slips over 2-3/8" pole tenon. Spun aluminum shroud is secured to a tier of louvers with (3) internal threaded rods. Top cap is easily removed to access lamp.

Dome Cap: The rugged hydroformed aluminum dome has an acrylic window installed to distributed accent light. Each end of the acrylic is secured to a cast ring. The upper ring is welded to cap and lower ring is secured to the housing with three stainless steel fasteners.

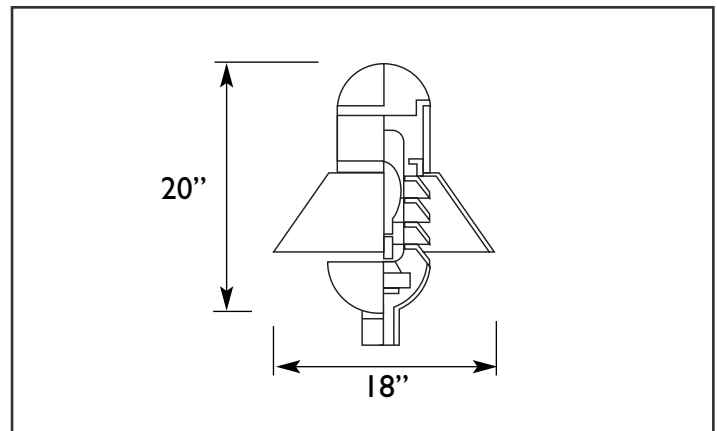
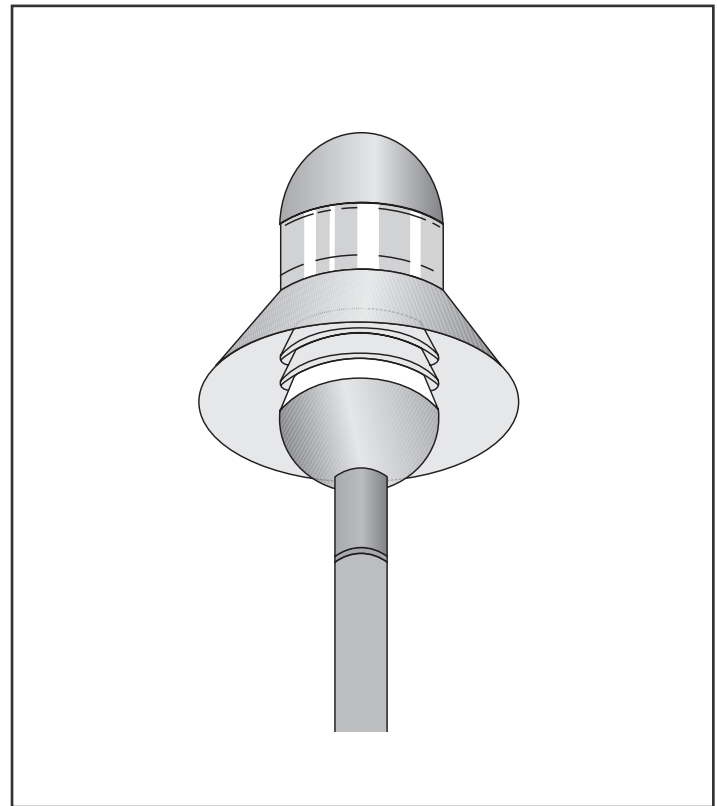
Enclosure: A clear acrylic seamless enclosure is installed in the top cap for accent lighting. Threaded clear glass lens covers lamp.

Slip Fitter: Extruded aluminum fitter is internally welded to dome and is secured to tenon with (3) stainless steel fasteners.

Ballast/Lamp Assembly: HID ballast shall be high power factor and suitable for -20° F operation. CFL ballast are electronic uni-volt and operate a 26,32 or 42 watt 4-pin lamp. HID sockets are porcelain, medium base and pulse-rated. CFL sockets are thermoplastic.

Finish: Polyester powder coating on all metal parts. Color to be specified.

Listing: Luminaire is ETL listed for wet locations.



Specification Guide

| Series | Wattage/Lamp | Volts | Options | Finish |
|--------|------------------|-------|------------------|-------------------|
| VK-8 | 26-42w/CFL = 42P | 120 | 1F = Single Fuse | BZ = Bronze |
| | 70w/HPS = 07S | 208 | 2F = Double Fuse | BK = Black |
| | 100w/HPS = 10S | 240 | PH = Button Cell | WH = White |
| | 150w/HPS = 15S | 277 | | SL = Silver |
| | 70w/MH = 07H | 480 | | CC = Custom Color |
| | 100w/MH = 10H | UV | | |

Example: 100 Watt, Metal Halide, 120 Volts, Single Fuse, Bronze
VK-810H-120/1F/BZ