

DP6 POLE



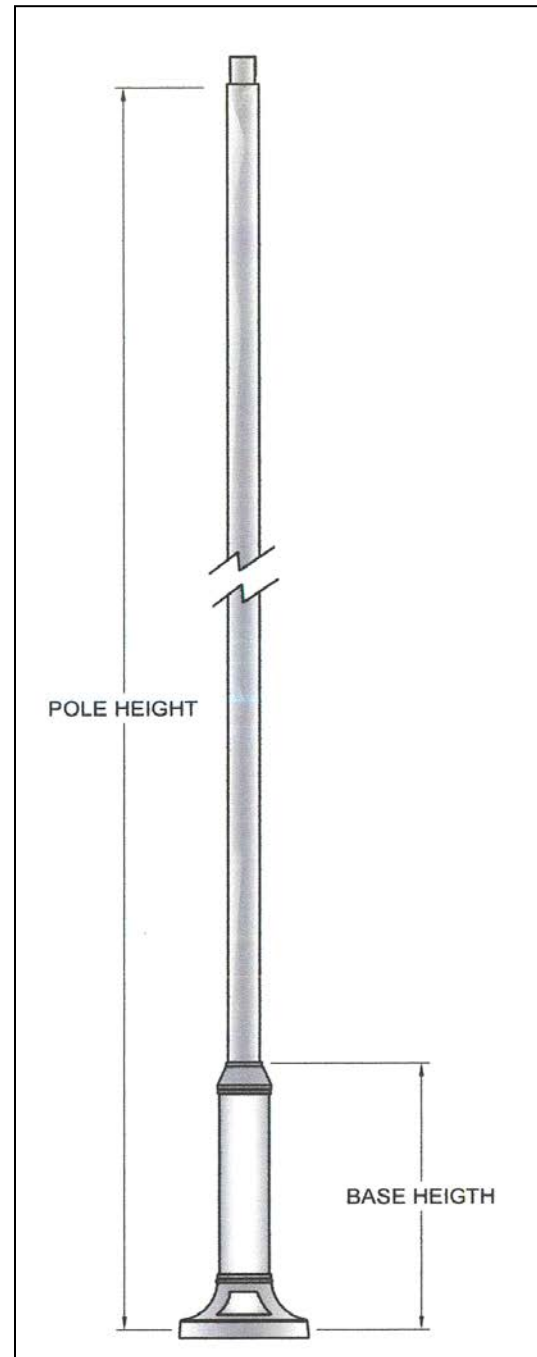
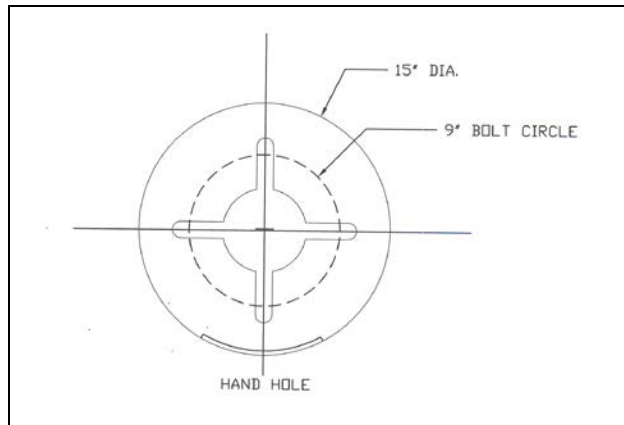
Design Features

Shaft: 4" diameter extruded aluminum tube with (.226) wall and 5" diameter with (.156) wall is welded to the cast aluminum base. Available with smooth or fluted extrusion.

Decorative Base: Cast aluminum base is provided with a 4" by 4" hand hole. Flush mounted cover is secured with four stainless steel tamper resistant screws. Base height is available from 24" to 48".

Anchor Bolts: Base is secured to concrete with (4) 3/4" by 15" long zinc plated anchor bolts.

Finish: Polyester powder coat baked on. Specify finish.



EPA in Square Feet at:

Pole Height	80MPH	90MPH	100MPH
10 Feet	15.1	12.3	9.4
12 Feet	13.1	9.7	8.1
14 Feet	10.1	8.2	6.0
16 Feet	8.7	6.8	4.3
18 Feet	6.5	5.4	3.1

BASE DESIGN	POLE HGT	BASE HGT	SHAFT	OPTIONS	FINISH
DP6	10'	24"	SM= Smooth	GFI=Ground Fault Receptacle	BZ= Bronze
	12'	30"	FL= Fluted		BK= Back
	14'	36"	4"= 4" Shaft	WH= White	
	16'	42"	5"= 5" Shaft	SL= Silver	
	18'	48"		CC= Custom	