

Design Features

Shaft: The shaft shall be 4" diameter and extruded from seamless 6063 alloy aluminum. Poles can be side drilled or provided with a welded tenon. Available with smooth or fluted extrusion.

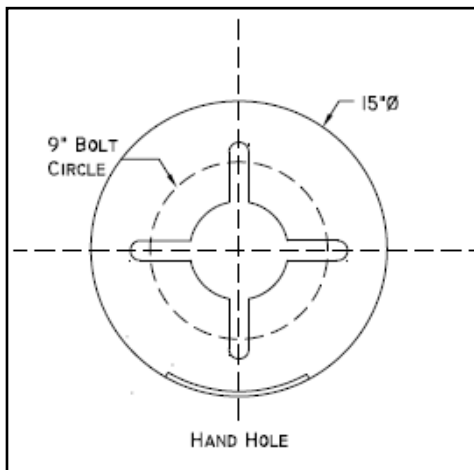
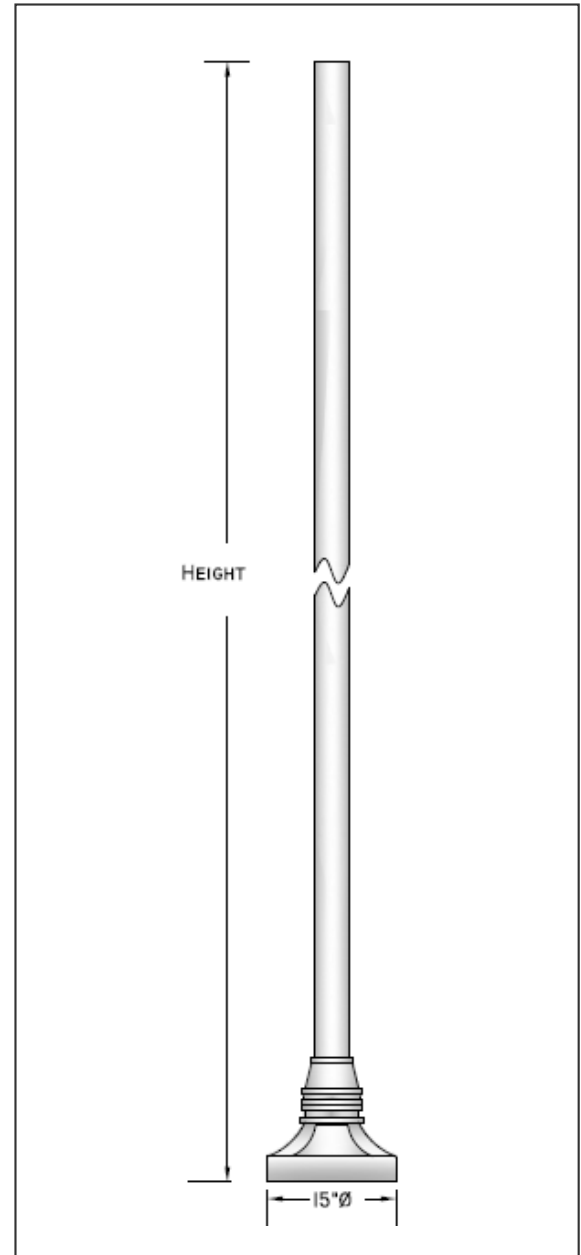
Anchor Base: The anchor base is cast from A356 alloy aluminum and shall be heat tempered to a T6 temper. The shaft and base are joined by a continuous circumferential weld at the outside top and inside bottom of the base.

Anchor Bolts: Each pole is supplied with 3/4" by 15" long zinc-plated steel anchor bolts with two nuts, flat washers and template.

Finish: Standard finish is a baked on polyester powder. Color to be specified.

Packaging: Plastic sleeve shall cover each shaft prior to being inserted into a heavy gauge cardboard tube.

Caution: Poles should never be erected without luminaire installed. Grout must be installed between anchor base and concrete pad or the warranty will be voided.



BASE DESIGN	POLE HEIGHT	SHAFT	OPTIONS	FINISH
DP7	10' 12' 14'	SM=Smooth FL = Fluted	GFI = Ground Fault Receptacle	BZ = Bronze BK = Black WH = White SL = Silver CC = Custom Color