

YRC 1200 Series



Design Features

Housing: Four heavy gauge extruded aluminum sections interlock to form the cylinder. Ballast support brackets with 1/4" threaded studs are internally welded to the housing. Cast top with heat fins is welded to housing. Assembly bolts to J-box.

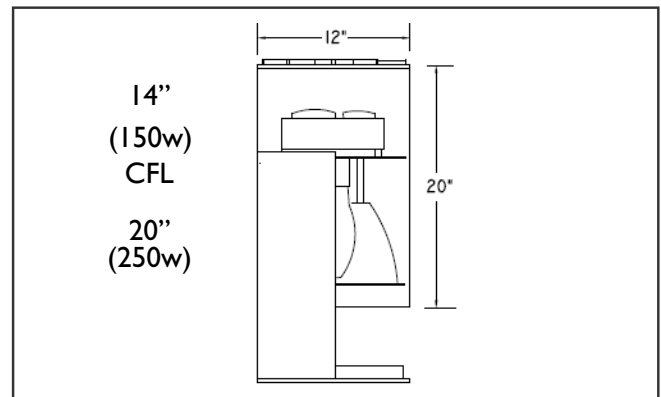
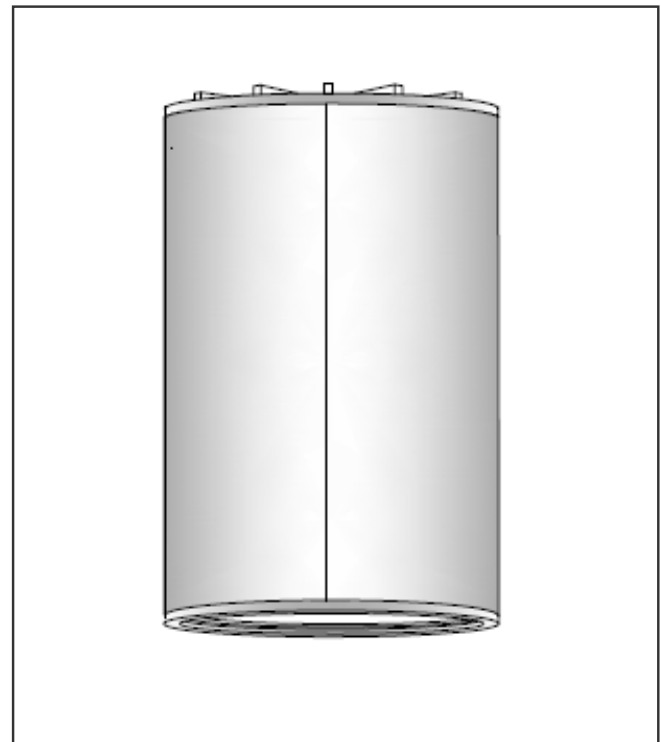
Lens Assembly: Clear tempered glass lens is secured in regressed cast aluminum frame with three clips. Gasket is installed between the glass and the frame and between frame and housing. Frame is secured to the housing with three flush stainless steel fasteners.

Optical System: Spun aluminum reflector with specular low iridescent finish produces a smooth symmetrical distribution.

Ballast/Lamp Assembly: HID ballast are high power factor and suitable for -20° F operation. CFL ballast are electronic with universal voltage and operate one or two 26, 32 or 42 watt 4-pin lamps. HID sockets are porcelain medium base pulse-rated for 150 watt and mogul base for 250 watt units. CFL sockets are thermoplastic. Emergency ballast available for CFL lamps "EMB".

Finish: Polyester powder coating on all metal parts. Color to be specified.

Listing: Luminaire is ETL listed for wet locations.



Specification Guide

Series	Wattage/Lamp	Volts	Options	Finish
YRC	26-42w/CFL = 1242P	120	1F = Single Fuse	BZ = Bronze
	(2)26-42w/CFL = 2/1242P	208	2F = Double Fuse	BK = Black
	100w/HPS = 1210S	240	PH = Button Cell	WH = White
	150w/HPS = 1215S	277	QR = Quartz Relay	SL = Silver
	250w/HPS = 1225S	UV	PG = Prismatic Glass	CC = Custom Color
	100w/MH = 1210H		OB = Open Bottom	
	150w/MH = 1215H		EMB = Emerg. Ballast	
	250w/MH = 1225H			

Example: 100 Watt, Metal Halide, 120 Volts, Single Fuse, Bronze
YRC-1210H-120/1F/BZ