

Design Features

Housing: Four heavy gauge .188 wall extruded aluminum sections interlock to form the cylinder housing. Two sections are internally welded to the cast lens frame and two sections are welded to cast cap which supports ballast and mounts directly to J-Box or ceiling with a universal bracket.

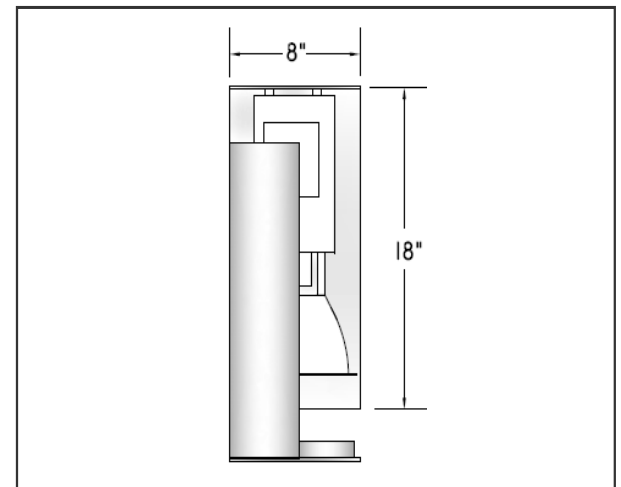
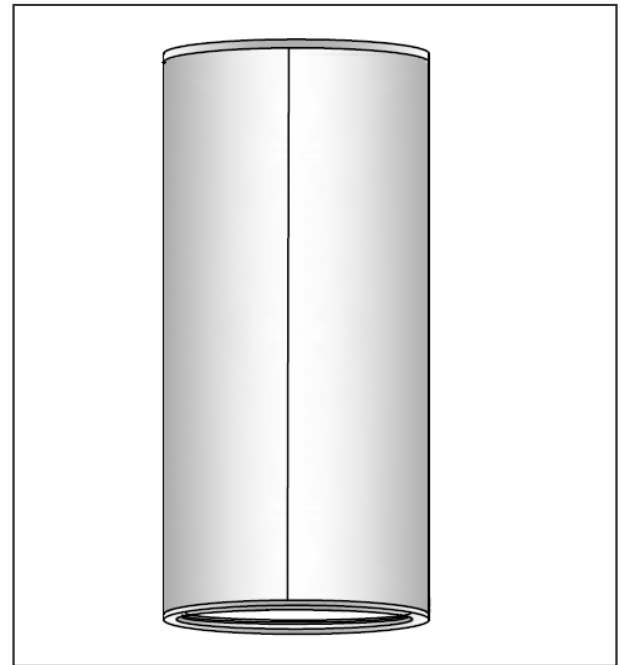
Lens Assembly: Clear heat tempered glass lens is sealed in regressed cast aluminum frame. The lower frame is welded to two extruded sections which easily slides down for relamping and ballast maintenance by releasing a single set screw. A safety chain secures the frame. Incandescent cylinders for Par lamps are supplied with an open bottom "OB".

Optical System: Spun aluminum reflector with specular low iridescent finish produces a smooth symmetrical distribution. Incandescent Par lamps do not require reflectors.

Ballast/Lamp Assembly: HID ballast shall be high power factor and suitable for -20° F operation. CFL ballast are electronic uni-volt and operate a 26, 32 or 42 watt 4-pin lamp. HID and INC sockets are porcelain, medium base and pulse-rated. CFL sockets are thermoplastic. Optional with emergency ballast "EMB".

Finish: Polyester powder coating on all metal parts. Color to be specified.

Listing: Luminaire is ETL listed for wet locations.



Specification Guide

Series	Wattage/Lamp	Volts	Options	Finish
YRC	26-42w/CFL = 842P	120	1F = Single Fuse	BZ = Bronze
	70w/HPS = 807S	208	2F = Double Fuse	BK = Black
	100w/HPS = 810S	240	PH = Button Cell	WH = White
	150w/HPS = 815S	277	OB = Open Bottom	SL = Silver
	70w/MH = 807H	UV	PG = Prismatic Glass	CC = Custom Color
	100w/MH = 810H		QR = Quartz Relay	
	150w/MH = 815H		EMB = Emergency Ballast	
	150w/INC = 815I/Par38			

Example: 100 Watt, Metal Halide, 120 Volts, Single Fuse, Bronze
YRC-810H-120/1F/BZ