

YRD 1200 Series



Design Features

Housing: Four heavy gauge extruded aluminum sections interlock to form the cylinder. Ballast support brackets with 1/4" threaded studs are internally welded to the housing.

Dome Cap: Heavy gauge .125 wall hydroformed hemispherical cap is secured with stainless steel fastener.

Lens Assembly: Clear tempered glass lens is secured in regressed cast aluminum frame with three clips. Gasket is installed between the glass and the frame and between frame and housing. Frame is secured to the housing with three flush stainless steel fasteners.

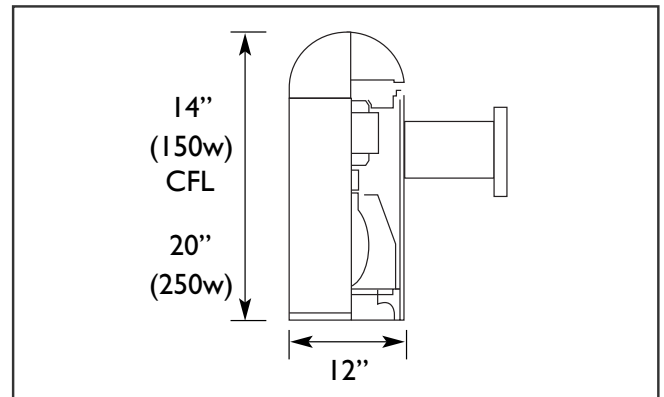
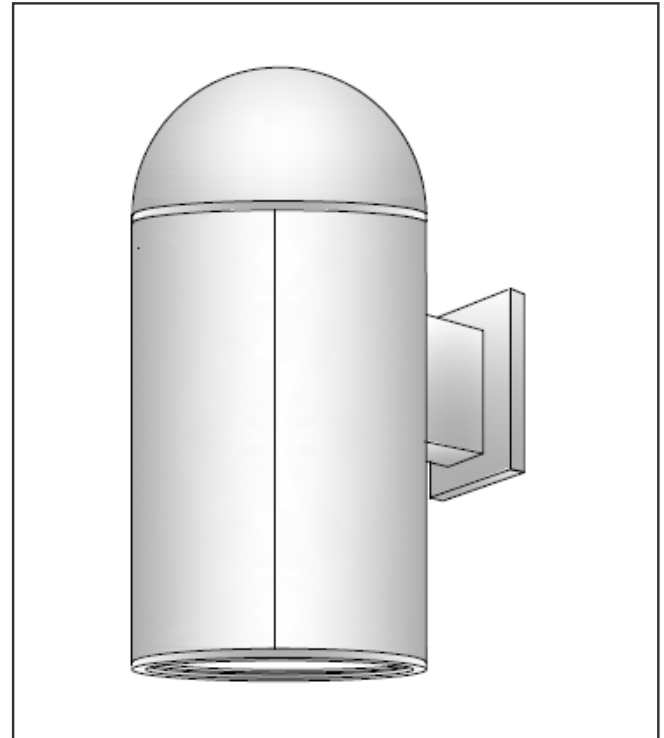
Optical System: Spun aluminum reflector with specular low iridescent finish produces a smooth symmetrical distribution.

Mounting Bracket: Extruded aluminum arm is internally welded to the cast back plate. Arm is bolted to housing with two 3/8" bolts. Steel zinc plated bracket mounts to wall surface and is attached to the cast plate with two stainless steel fasteners.

Ballast/Lamp Assembly: HID ballast are high power factor and suitable for -20° F operation. CFL ballast are electronic with universal voltage and operate one or two 26, 32 or 42 watt 4-pin lamp. HID socket are porcelain, medium base and pulse-rated for 150 watt and mogul base for 250 watt units. CFL are optional with emergency ballast "EMB".

Finish: Polyester powder coating on all metal parts. Color to be specified.

Listing: Luminaire is ETL listed for wet locations.



Specification Guide

| Series | Wattage/Lamp | Volts | Options | Finish |
|--------|-------------------------|-------|----------------------|-------------------|
| YRD | 26w-42w/CFL = 1242P | 120 | IF = Single Fuse | BZ = Bronze |
| | (2)26-42w/CFL = 2/1242P | 208 | 2F = Double Fuse | BK = Black |
| | 100w/HPS = 1210S | 240 | PH = Button Cell | WH = White |
| | 150w/HPS = 1215S | 277 | QR = Quartz Relay | SL = Silver |
| | 250w/HPS = 1225S | UV | PG = Prismatic Glass | CC = Custom Color |
| | 100w/MH = 1207H | | OB = Open Bottom | |
| | 150w/MH = 1215H | | EMB = Emerg. Ballast | |
| | 250w/MH = 1225H | | PDM = Pendant Mount | |

Example: 100 Watt, Metal Halide, 120 Volts, Single Fuse, Bronze
YRD-1210H-120/IF/BZ