

YRP-2-1200 Series



Design Features

Housing: Four heavy gauge extruded aluminum sections interlock to form the cylinder. Ballast support brackets with 1/4" threaded studs are internally welded to the housing. Cast frame with pendant bracket welded to frame is threaded for 1/2" pendant.

Lens Assembly: Clear tempered glass lens is secured in regressed cast aluminum frame with three clips. Gasket is installed between the glass and the frame and between frame and housing. Frame is secured to the housing with three flush stainless steel fasteners.

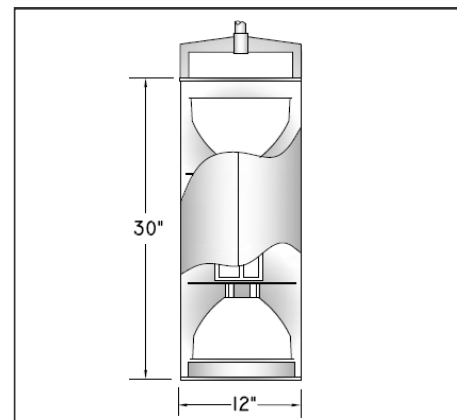
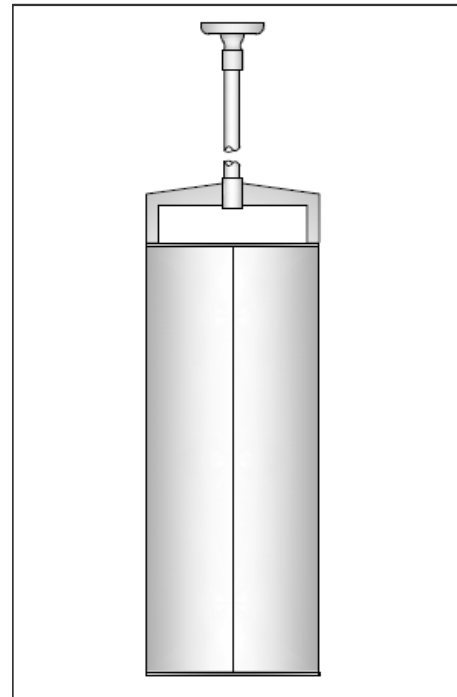
Optical System: Spun aluminum reflectors with specular low iridescent finish produces a smooth symmetrical distribution.

Pendant Assembly: A 1/2" steel pendant is secured to flat bar, which is welded to housing. It is provided with a swivel canopy and universal bracket for mounting to J-Box. Pendant length must be specified when ordering.

Ballast/Lamp Assembly: HID ballast are high power factor and suitable for -20° F operation. CFL ballast are electronic with universal voltage and operate one or two 26, 32 or 42 watt CFL lamps. HID sockets are porcelain, pulse-rated and medium base for 150 watt and mogul base for 250 watt units. Maximum wattage for up light is 150 when using 250 watts down.

Finish: Polyester powder coating on all metal parts. Color to be specified.

Listing: Luminaire is ETL listed for wet locations.



Specification Guide

Series	Wattage/Lamp	Volts	Pendant	Options	Finish
YRP-2	26-42w/CFL = 1242P	120	12"	1F = Single Fuse	BZ = Bronze
	2/26-42w/CFL=2/1242P	208	24"	2F = Double Fuse	BK = Black
	100w/HPS = 1210S	240	30"	PH = Button Cell	WH = White
	150w/HPS = 1215S	277	36"	QR = Quartz Relay	SL = Silver
	250w/HPS = 1225S	UV	Other	PG = Prismatic Glass	CC = Custom Color
	100w/MH = 1210H			OB = Open Bottom	
	150w/MH = 1215H			EMB = Emergency Ballast	
250w/MH = 1225H					

Example: 100 Watt, Metal Halide, 120 Volts, 12" Pendant, Single Fuse, Bronze
YRP-2-1210H-120/12"/1F/BZ