

YRP 1200 Series



Design Features

Housing: Four heavy gauge extruded aluminum sections interlock to form the cylinder. Ballast support brackets with 1/4" threaded studs are internally welded to the housing. Cast top with heat fins is welded to housing and threaded for 1/2" pendant.

Lens Assembly: Clear tempered glass lens is secured in regressed cast aluminum frame with three clips. Gasket is installed between the glass and the frame and between frame and housing. Frame is secured to the housing with three flush stainless steel fasteners. Optional with an open bottom "OB".

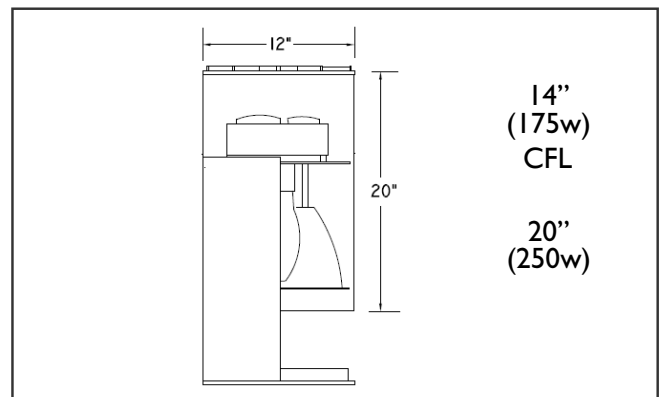
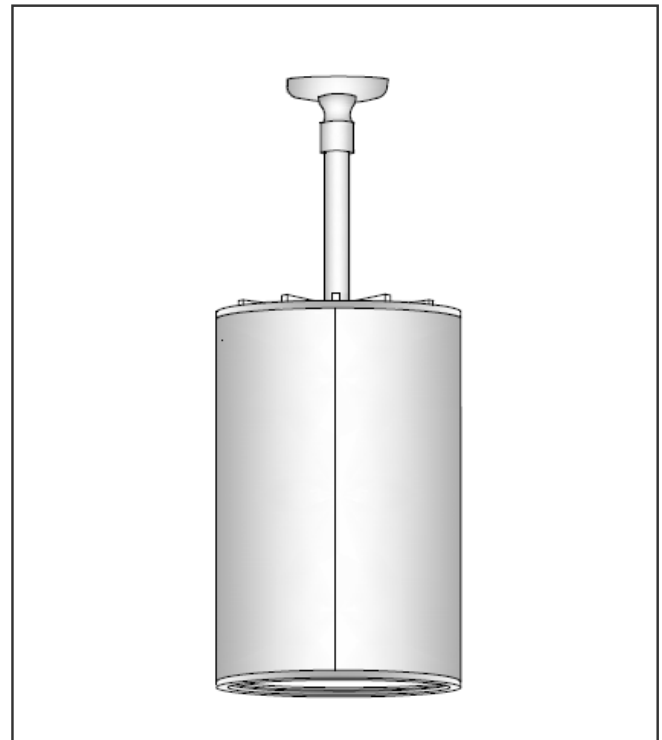
Optical System: Spun aluminum reflector with specular low iridescent finish produces a smooth symmetrical distribution.

Pendant Assembly: Extruded aluminum pendant is threaded for secure fit to housing cap. It is provided with a swivel canopy and universal bracket for mounting to J-Box. Pendant length must be specified when ordering.

Ballast/Lamp Assembly: HID ballast are high power factor and suitable for -20° F operation. CFL ballast are electronic with universal voltage and operate one or two 26, 32 or 42 watt 4-pin lamps. HID sockets are porcelain, medium base and pulse-rated for 150 watt and mogul base for 250 watt units. CFL sockets are thermoplastic. Optional with emergency ballast "EMB".

Finish: Polyester powder coating on all metal parts. Color to be specified.

Listing: Luminaire is ETL listed for wet locations.



Specification Guide

Series	Wattage/Lamp	Volts	Pendant	Options	Finish
YRP	26-42w/CFL = 1242P	120	12"	1F = Single Fuse	BZ = Bronze
	2/26-42w/CFL = 2/1242P	208	24"	2F = Double Fuse	BK = Black
	100w/HPS = 1210S	240	30"	PH = Button Cell	WH = White
	150w/HPS = 1215S	277	36"	OB = Open Bottom	SL = Silver
	250w/HPS = 1225S	UV	Other	QR = Quartz Relay	CC = Custom Color
	100w/MH = 1210H			PG = Prismatic Glass	
	150w/MH = 1215H			EMB = Emerg.Ballast	
	250w/HPS = 1225H				

Example: 100 Watt, Metal Halide, 120 Volts, 12" Pendant, Single Fuse, Bronze
YRP-1210H-120/12"/1F/BZ