

YRW-I-800 Series



Design Features

Housing: Four heavy gauge extruded aluminum sections interlock to form the housing. Upper lens frame is internally welded to the housing.

Lens Assembly: C73 prismatic tempered glass lenses are sealed in cast frames. Lower frame is removable to access the lamp. It is gasketed and secured to the housing with three stainless steel set screws.

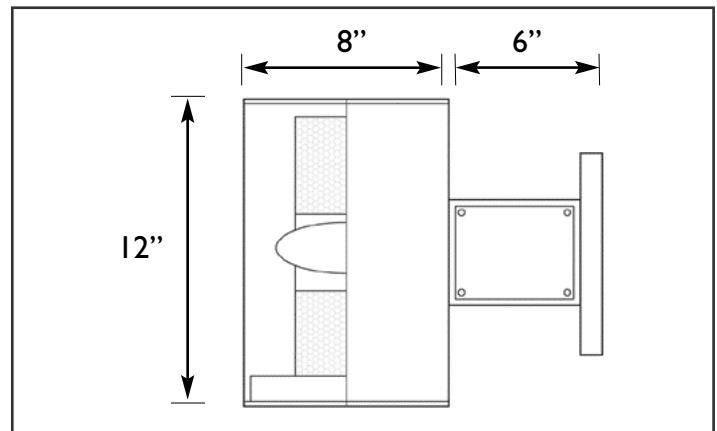
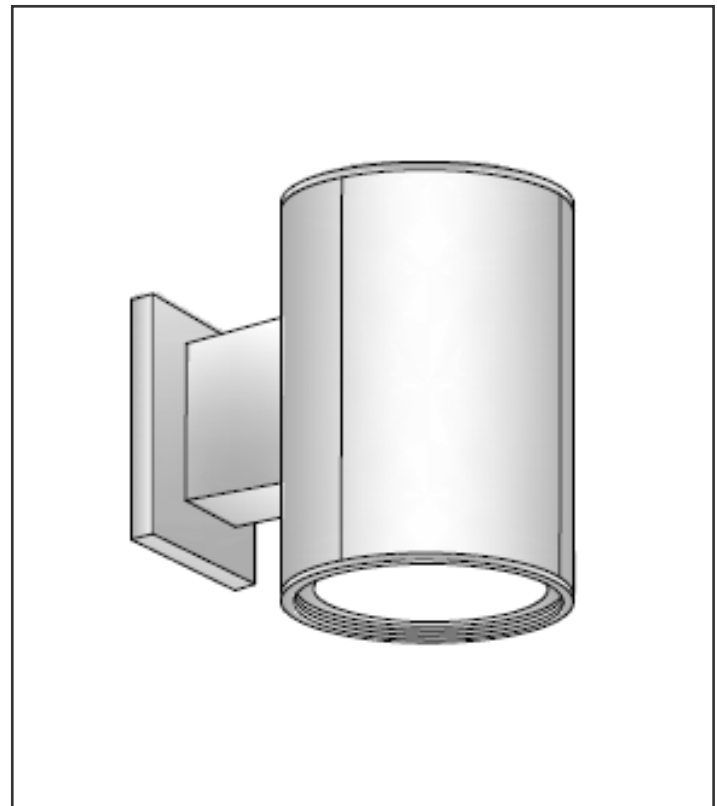
Optical System: Specular hammertone reflector produces a smooth symmetrical up/down distribution. Optional with down light only "DLO".

Mounting Bracket: Extruded aluminum arm is internally welded to cast cover and housing. Steel zinc-plated bracket mounts to the wall surface and is secured to the cover with two stainless steel fasteners. A gasketed access panel for servicing the ballast is secured with four tamper resistant screws.

Ballast/Socket: IntelliVolt low frequency electronic ballast is secured in the arm with two nuts. Ballast operates voltage from 120 to 277 and 50 or 60HZ. HID sockets are porcelain, medium base sockets and pulse-rated. CFL sockets are thermoplastic and operate a 26, 32 or 42 watt 4-pin lamp. Optional with remote emergency ballast "REMB".

Finish: Polyester powder coating on all metal parts. Color to be specified.

Listing: Luminaire is ETL listed for wet locations, UL1598 and Canadian CSA Std C22.2 No.250.0.



Specification Guide

Series	Wattage/Lamp	Volts	Options	Finish
YRW-I-	50w/MH = 805H	120	IF = Single Fuse	BZ = Bronze
	70w/MH = 807H	208	2F = Double Fuse	BK = Black
	100w/MH = 810H	240	PH = Button Photocell	WH = White
	26-42w/CFL = 842P	277	DLO = Down Light Only	SL = Silver
	50w/HPS = 805S	UV	REMB = Remote Emergency Ballast	CC = Custom Color
	70w/HPS = 807S			
	100w/HPS = 810S			

Example: 100 Watt, Metal Halide, 120 Volts, Single Fuse, Bronze
YRW-I-810H-120/IF/BZ